



LUMINAIRE SPECIFICATIONS

- Power 60W
90W
120W
150W
- Fitting Material Non-Corrosive Cast Aluminium
- Fitting Color Black
- Optical Cover Tempered Glass
- Ingress Protection IP66
- Impact Protection IK08
- Voltage 220 ~ 240 Vac 50 / 60Hz
- Power Factor ≥0.9 (at Full Load)
- Operating Temperature -30 ~ 40°C
- Installation Ø60mm Post Top or Side Entry
- Surge Protections 6KV
- Pre - Wire 0.8m

FEATURES

- NEMA 7pin Ready
- Adjustable Spigot 0° - 15°

LED MODULE SPECIFICATIONS

- LED Chips 3030
- Color Temperature 3000K Warm White
4000K Neutral White
- Color Rendering Index (CRI) RA >70
- L70 50,000 Hrs @ 25°C
- Optic Type III (135° x 90°)
- PCB Material Metal Core

COMPLIANCE STANDARD

- LED LM80, UL, RoHS
- Driver CE, EN62493, EN61347, EN50581,
EN55015, EN61000, EN61547, EN62384



APPLICATION

- Parking Lot, Pathway, Community, Causeway, Footpath, Access Ways, Residential Area

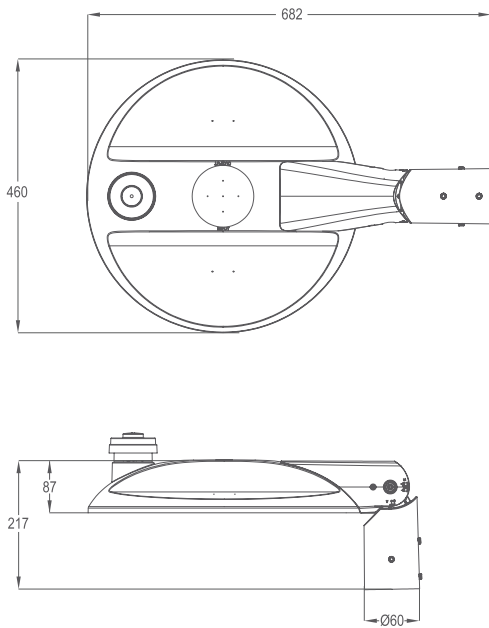
MEASUREMENT & ORDER CODE

WATTAGE	LUMEN	CONSUMPTION	CARTON DIMENSION (L x W x H) mm	NETT WEIGHT
60W	8160lm	63W	585 x 530 x 175	7.5 kg
90W	12240lm	95W	585 x 530 x 175	7.5 kg
120W	16320lm	126W	585 x 530 x 175	7.5 kg
150W	19800lm	158W	585 x 530 x 175	7.5 kg

* Please indicate LED color temperature when ordering.
* All result tested base on 3000K CCT LEDs.



DIMENSION



PHOTOMETRIC

Type III

