



AEROS II 480W



AEROS II 720W

LUMINAIRE SPECIFICATIONS

- Power 480W
720W
- Fitting Material 316 Grade Stainless Steel
- Optical Cover High Transparency Polycarbonate
- Ingress Protection IP66
- Impact Protection IK08
- Voltage 220 ~ 240 Vac 50 / 60Hz
- Electrical Safety Class Class I
- Operating Temperature -30 ~ +45°C
- Installation Mounting Bracket
- Surge Protections 10KV, 20KA

OPTIONAL FEATURES (UPON REQUEST)

- Driver Constant Current, 1-10V Dimming, DALI
- Beam Angle Narrow Beam
Medium Beam
Asymmetrical
- Power Cable 2m (Pre-Wire)
5m, 10m, 15m & 20m (Optional)

LED MODULE SPECIFICATIONS

- LED Type 5050
- Color Temperature 3000K Warm White
4000K Neutral White
5000K Cool White
- Color Rendering Index (CRI) >70
>90 (Upon Request)
- L70 100,000 Hrs @ 25°C
- PCB Material Metal Core (Alumina)
- SMD Connector WAGO 2060 Series

COMPLIANCE STANDARD

- LED LM80, UL, RoHS
- Driver CE, EN62493, EN61347, EN50581, EN55015, EN61000, EN61547, EN62384
- Luminaire EN60598-1, EN60598-2-5, EN62493, EN55015, EN61547, EN61000, EN62471, CISPR 15

APPLICATION

- Sport Lightings, Stadium Lightings, Jetties & Highmasts

MEASUREMENT & ORDER CODE

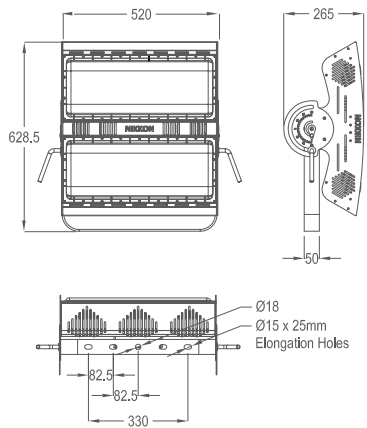
WATTAGE	ORDER CODE	NO. OF LEDS	TYPICAL LUMINOUS FLUX	TYPICAL WATTAGE	CARTON DIMENSION (L x W x H) mm	NETT WEIGHT
480W	AEROS II 480W	168	64550	480	672 x 576 x 330 520 x 350 x 215 (Control Gear)	19.0 kg + 10.0 kg (RCG)
720W	AEROS II 720W	252	96800	720	951 x 596 x 330 520 x 350 x 215 (Control Gear)	23.0 kg + 10.0 kg (RCG)

* Please indicate LED color temperature and beam angle when ordering.
* All result tested base on 5000K CCT LEDs.

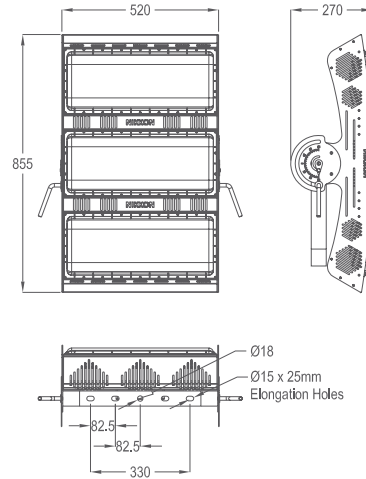


DIMENSION

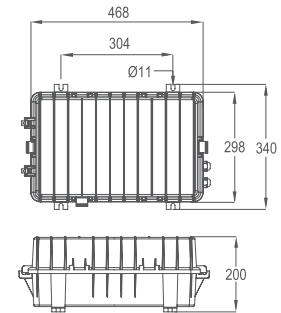
K10130 480W



K10131 720W

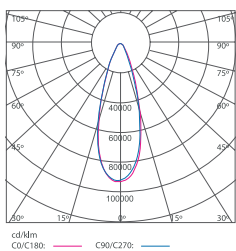


Control Gear

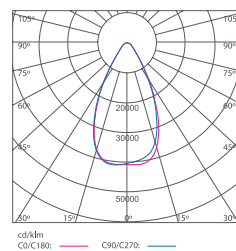


PHOTOMETRIC

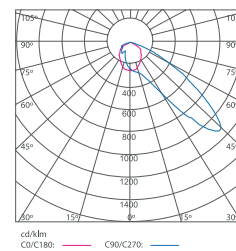
Narrow Beam



Medium Beam



Asymmetrical Beam



Note: All specifications are subject to change without prior notice for product improvement. Images, pictures, and illustrations used are for illustrative purposes only and the color printed may differ from the actual product.