

# NIKKON®

## FARO SERIES



FARO-80W



FARO-150W



FARO-360W

### LUMINAIRE SPECIFICATIONS

- **Power** 60W  
80W  
100W  
120W  
150W  
200W  
240W  
360W
- **Fitting Material** Non-Corrosive  
Die Cast Aluminium
- **Fitting Color** White Aluminium, RAL9006
- **Optical Cover** Clear Tempered Glass
- **Ingress Protection** IP65
- **Impact Protection** IK08
- **Voltage** 220-240Vac 50 / 60Hz
- **Electrical Safety Class** Class 1
- **Operating Temperature** -30 ~ +45°C
- **Installation** Mounting Bracket
- **Surge Protection** 10KV, 20KA

### LED MODULE SPECIFICATIONS

- **LED Chips** LUMILEDS 3030 2D
- **Color Temperature** 3000K, 4000K, 6500K
- **Color Rendering Index (CRI)** >70
- **L70** 100,000 Hrs @ 25°C
- **PCB Material** Metal Core

### OPTIONAL FEATURES

- **Optics** Wide Beam, Asymmetrical

### COMPLIANCE STANDARD

- **LED** LM80, UL, RoHS
- **Driver** CE, EN62493, EN61347, EN50581, EN55015, EN61000, EN 61547, EN62384

### APPLICATION

- Historical Building, Praying Hall, Theaters, Museums, Passageways, Corridors Areas, Exhibitions Halls, Parks & Garden, Parking Lots, Commercial & Residential Areas, Facade Lightings

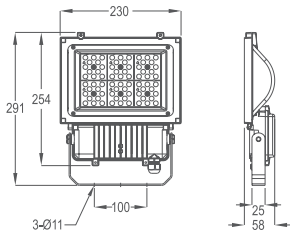
### MEASUREMENT & ORDER CODE

WATTAGE	TYPICAL FLUX, LM	TYPICAL WATTAGE	NETT WEIGHT
60W	6600	63W	1.05kg
80W	10000	84W	2.51kg
100W	12500	105W	2.51kg
120W	13200	126W	3.45kg
150W	18000	158W	4.68kg
200W	24000	210W	4.68kg
240W	28000	252W	4.68kg
360W	39600	378W	11kg

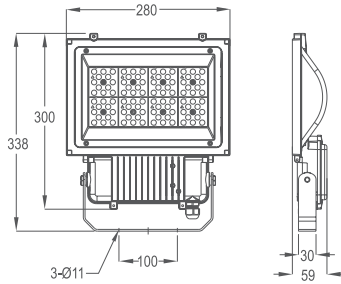


## DIMENSION

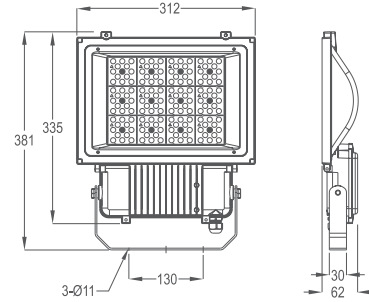
FARO-60W



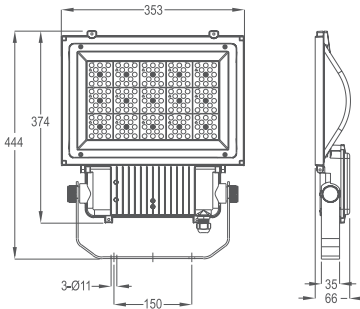
FARO-80W



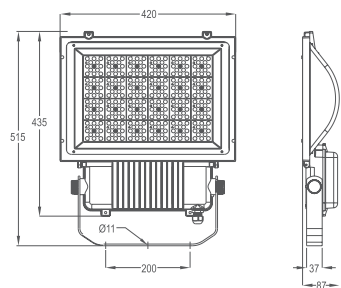
FARO-100W / 120W



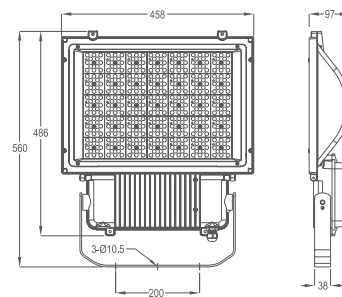
FARO-150W



FARO-240W

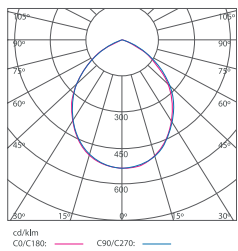


FARO-360W

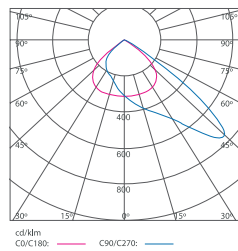


## PHOTOMETRIC

Wide Beam



Asymmetrical Beam



Note: All specifications are subject to change without prior notice for product improvement. Images, pictures, and illustrations used are for illustrative purposes only and the color printed may differ from the actual product.