

LEDXION S2266 FLOODLIGHT



Type 1

Type 2

Type 3

Type 4

LUMINAIRE SPECIFICATIONS

- **Power** 140W
185W
230W
- **Fitting Material** Non-Corrosive Die-Cast Aluminium
- **Fitting Color** Dark Gray, Akzo Nobel RAL7012
- **Optical Cover** Anti Glare High Transparency Frosted Tempered Glass
- **Ingress Protection** IP66 (Lamp & Gear Compartments)
IP65 (Control Gear) - for Type 3 & 4
- **Impact Protection** IK08
- **Voltage** 220 ~ 240 Vac 50 / 60Hz
- **Electrical Safety Class** Class I
- **Operating Temperature** -30 ~ +45°C
- **Installation** Mounting Bracket (Type 1 & 4)
Pole Mounting (Type 2)
Wall Mounting (Type 3)
- **Surge Protections** 10KV, 20KA

OPTIONAL FEATURES (UPON REQUEST)

- **Driver** 1-10V Dimming
- **Beam Angle** 140° x 70° (WB)
51° (MB51)
19° (NB19)
- **Fixture** Type 1 - Built-In Control Gear
Type 2 - Pole Mounted with External Driver
Type 3 - Wall Mounted with External Control Gear
Type 4 - Mounting Bracket with External Control Gear

MEASUREMENT & ORDER CODE

WATTAGE	NO. OF LEDS	TYPICAL LUMINOUS FLUX	TYPICAL WATTAGE
140W	66	16700	145
185W	88	23120	194
230W	110	28300	242

LED MODULE SPECIFICATIONS

- **Color Temperature** 3000K Warm White
4000K Neutral White
5000K Cool White
- **Color Rendering Index (CRI)** >70 Cool White & Neutral White
>80 Warm White
- **L70** 100,000 Hrs @ 25°C
- **PCB Material** Ceramic (Alumina Substrate)
- **PCB Trace** Silver Conductor (Ag)
- **SMD Connector** WAGO 2060 Series

COMPLIANCE STANDARD

- **LED** LM80, UL, RoHS
- **Driver** CE, EN62493, EN61347, EN50581, EN55015, EN61000, EN61547, EN62384
- **Luminaire** EN60598-1, EN60598-2-5, EN62493, EN55015, EN61547, EN61000, EN62471, CISPR 15



APPLICATION

- Parking Areas, Facade & Stadium Lightings, Sport Lightings, Commercial & Residential Areas, & Jetties

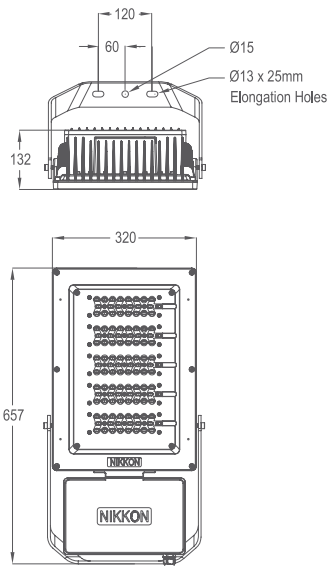
TYPE	ORDER CODE	CARTON DIMENSION (L x W x H) mm	NETT WEIGHT
1	K10119 (Type 1)	730 x 390 x 165	15.8 kg
2	K10119 (Type 2)	760 x 410 x 185	11.0 kg
3	K10119 (Type 3)	590 x 399 x 176	10.6 kg + 5.6 kg (RCG)
4	K10119 (Type 4)	640 x 390 x 150	9.8 kg + 5.6 kg (RCG)

* Please indicate LED color temperature and beam angle when ordering.
* Programmable dimming LED driver is available upon request.
* All result tested base on 5000K CCT LEDs.

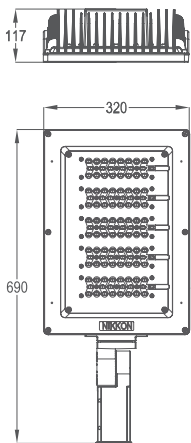


DIMENSION

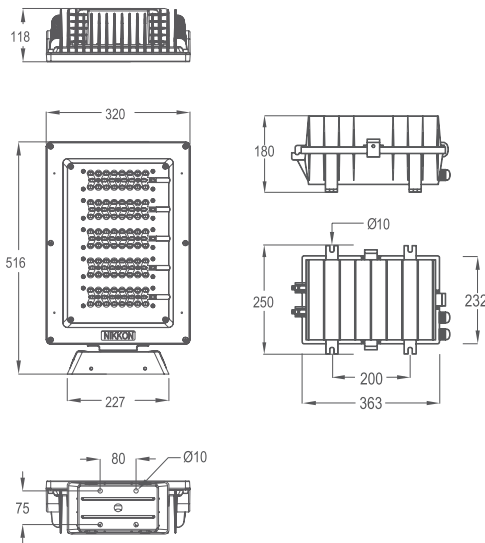
Type 1 - Standard LED FL



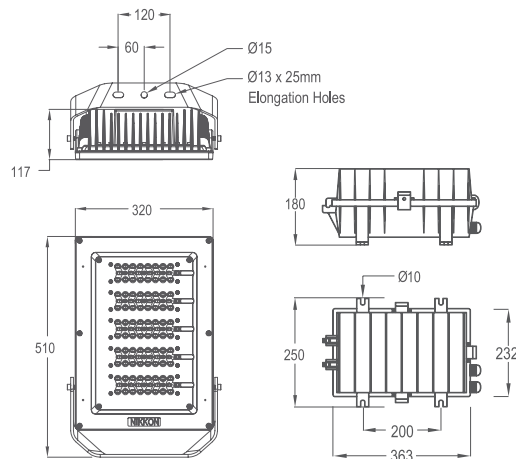
Type 2 - Pole Mounted LED FL



Type 3 - Wall Mounted LED FL

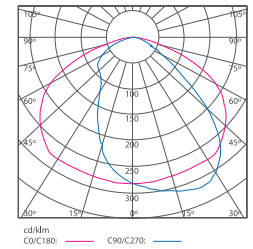


Type 4 - Mobile LED FL

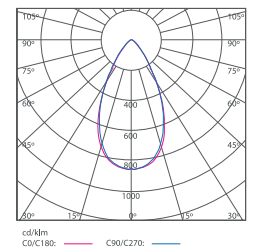


PHOTOMETRIC

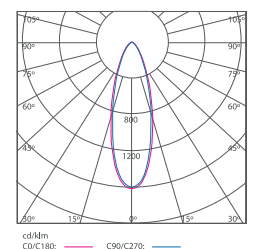
Floodlight (WB)



Floodlight (MB51)



Spotlight (NB19)



Note: All specifications are subject to change without prior notice for product improvement. Images, pictures, and illustrations used are for illustrative purposes only and the color printed may differ from the actual product.