



LUMINAIRE SPECIFICATIONS

- **Power** 30W
60W
- **Fitting Material** Non-Corrosive Die-Cast Aluminium
- **Fitting Color** White Aluminium, Akzo Nobel RAL9006
- **Optical Cover** 95% Transparency Clear Tempered Glass
- **Ingress Protection** IP66
- **Impact Protection** IK08
- **Voltage** 220 ~ 240 Vac 50 / 60Hz
- **Electrical Safety Class** Class I
- **Operating Temperature** -30 ~ +45°C
- **Installation** Mounting Bracket
- **Surge Protections** 10KV, 20KA

LED MODULE SPECIFICATIONS

- **Color Temperature** 3000K Warm White
5000K Cool White
- **Color Rendering Index (CRI)** >70
- **L70** 100,000 Hrs @ 25°C
- **PCB Material** Metal Core
- **PCB Trace** Copper
- **SMD Connector** WAGO 2060 Series

COMPLIANCE STANDARD

- **LED** LM80, UL, RoHS
- **Driver** CE, EN62493, EN61347, EN50581, EN55015, EN61000, EN61547, EN62384

APPLICATION

- Parks & Gardens, Facade Lightings, Parking, Commercial & Residential Areas

MEASUREMENT & ORDER CODE

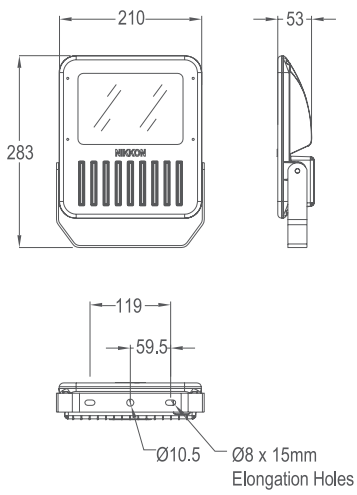
WATTAGE	ORDER CODE	NO. OF LEDS	TYPICAL LUMINOUS FLUX	TYPICAL WATTAGE	CARTON DIMENSION (L x W x H) mm	NETT WEIGHT
30W	K10132 HP 30W	14	3900	33	303 x 254 x 64	1.8 kg
60W	K10132 HP 60W	28	7450	65	303 x 254 x 64	1.8 kg

* Please indicate LED color temperature when ordering.

* All result tested base on 5000K CCT LEDs.

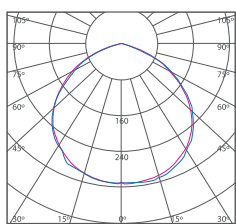


DIMENSION



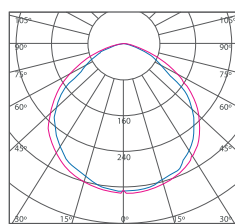
PHOTOMETRIC

K10132 HP 30W



cd/klm
C90/C270: — C0/C180: —

K10132 HP 60W



cd/klm
C90/C270: — C0/C180: —