

# NIKKON®

## TECO SERIES



TECO-60W / 90W



TECO-120W



TECO-160W / 200W

### LUMINAIRE SPECIFICATIONS

- **Power** 60W  
90W  
120W  
160W  
200W
- **Fitting Material** Non-Corrosive-Die Cast Aluminium
- **Fitting Color** White Aluminium, RAL9006
- **Optical Cover** Clear Tempered Glass
- **Ingress Protection** IP65
- **Impact Protection** IK08
- **Voltage** 220-240Vac 50 / 60Hz
- **Electrical Safety Class** Class 1
- **Operating Temperature** -30 ~ +45°C
- **Installation** Mounting Bracket
- **Surge Protection** 10KV, 20KA

### LED MODULE SPECIFICATIONS

- **LED Chips** LUMILEDS 3030 2D
- **Color Temperature** 3000K, 4000K, 6500K
- **Color Rendering Index (CRI)** >70
- **L70** 100,000 Hrs @ 25°C
- **PCB Material** Metal Core

### OPTIONAL FEATURES

- **Optics** Wide Beam, Asymmetrical

### COMPLIANCE STANDARD

- **LED** LM80, UL, RoHS
- **Driver** CE, EN62493, EN61347, EN50581, EN55015, EN61000, EN 61547, EN62384

### APPLICATION

- Historical Building, Praying Hall, Theaters, Museums, Passageways, Corridors Areas, Exhibitions Halls, Parks & Garden, Parking Lots, Commercial & Residential Areas, Facade Lightings

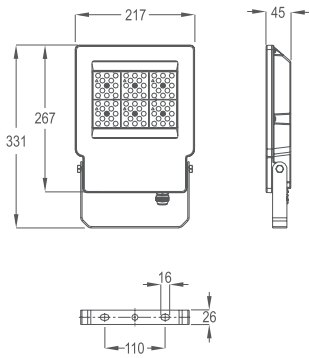
### MEASUREMENT & ORDER CODE

WATTAGE	TYPICAL FLUX, LM	TYPICAL WATTAGE	NETT WEIGHT
60W	7200	63W	1.4kg
80W	11250	95W	2.9kg
120W	13200	126W	3.9kg
160W	19200	168W	4.8kg
200W	25000	210W	7.3kg

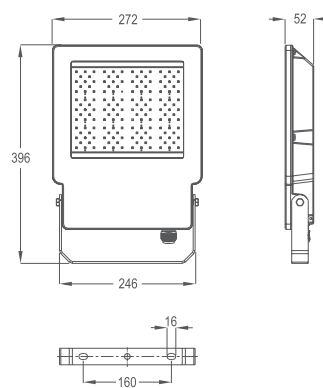


## DIMENSION

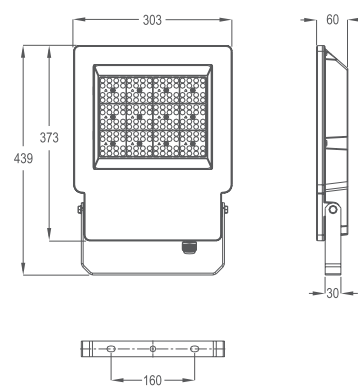
TECO-60W / 90W



TECO-120W

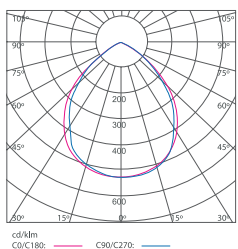


TECO-160W / 200W

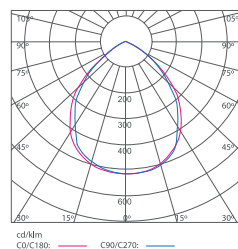


## PHOTOMETRIC

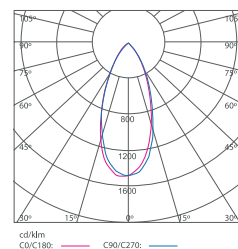
TECO-60W / 90W



TECO-120W



TECO-160W / 200W



Note: All specifications are subject to change without prior notice for product improvement. Images, pictures, and illustrations used are for illustrative purposes only and the color printed may differ from the actual product.