



LUMINAIRE SPECIFICATIONS

• Power	100W 150W 200W 300W
• Fitting Material	Non-Corrosive Die-Cast Aluminium
• Fitting Color	White Aluminium, RAL9006
• Optical Cover	Tempered Glass
• Ingress Protection	IP66
• Impact Protection	IK08
• Voltage	220 ~ 240 Vac 50 / 60Hz
• Electrical Safety Class	Class I
• Operating Temperature	-30 ~ +50°C
• Installation	Bracket Mounting
• Surge Protections	10KV
• Pre-Wire	1500mm
• Optics	Asymmetrical

OPTIONAL FEATURES (UPON REQUEST)

• Optics	Wide Beam, Narrow Beam, Medium Beam
----------	--

LED MODULE SPECIFICATIONS

• Color Temperature	5700K Cool White
• Color Rendering Index (CRI)	>70
• L70	100,000 Hrs @ 25°C
• PCB Material	Metal Core

COMPLIANCE STANDARD

• LED	LM80
• Driver	CE, EN / IEC 61347, EN55015, EN61547, EN61000, EN62493

APPLICATION

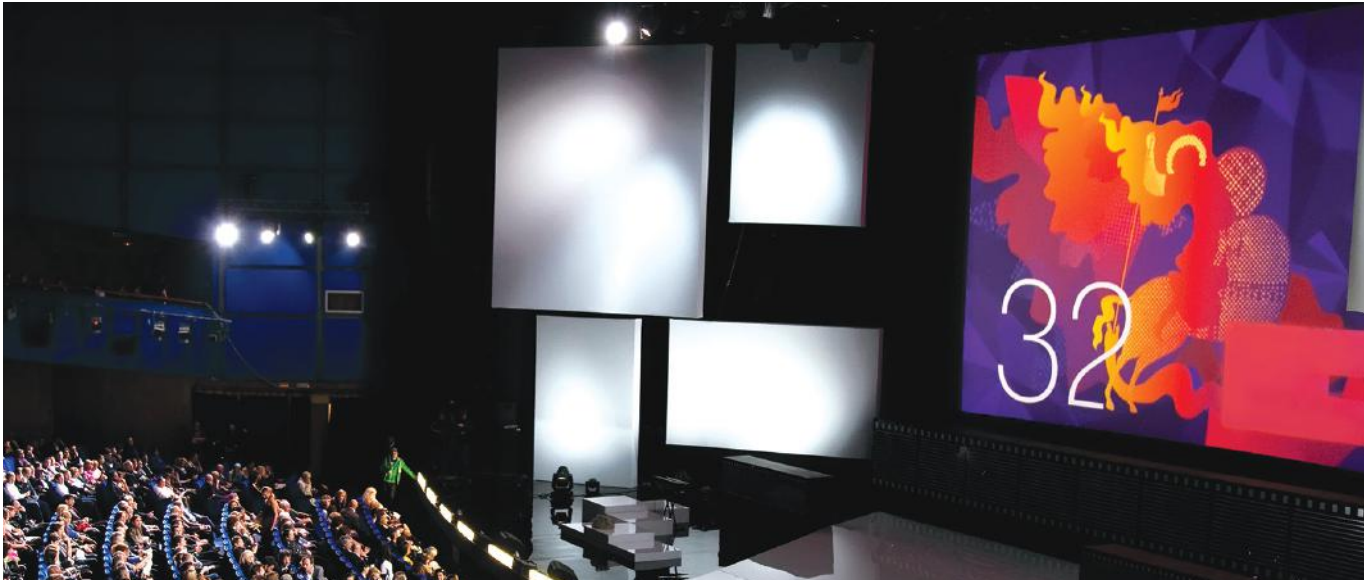
- Historical Buildings, Praying Halls, Theatres, Museums, Passageways, Corridors Areas & Exhibition Halls

MEASUREMENT & ORDER CODE

WATTAGE	ORDER CODE	NO. OF LEDs	TYPICAL LUMINOUS FLUX	TYPICAL WATTAGE	CARTON DIMENSION (L x W x H) mm	NETT WEIGHT
100W	T10	128	12500	100	400 x 125 x 335	3.4 kg
150W	T15	192	18750	150	440 x 130 x 360	4.5 kg
200W	T20	240	25000	200	470 x 130 x 390	5.5 kg
300W	T30	384	37500	300	530 x 140 x 450	8.3 kg

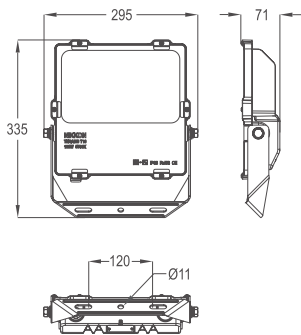
* Please indicate LED color temperature and optic when ordering.

* All result tested base on 5700K CCT LEDs.

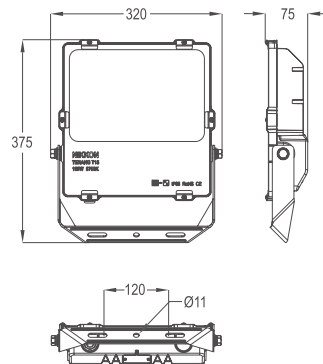


DIMENSION

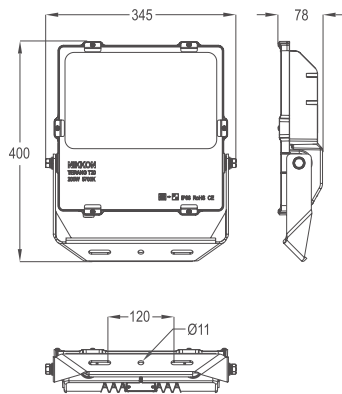
100W



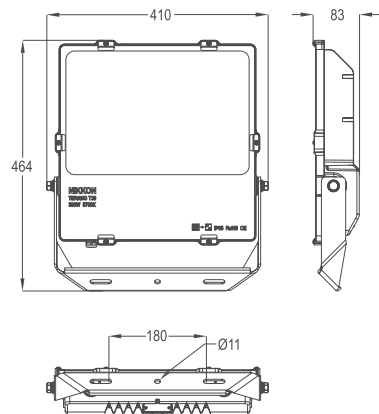
150W



200W

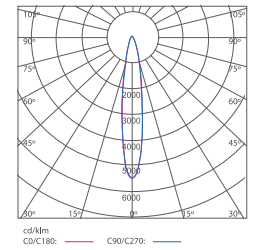


300W

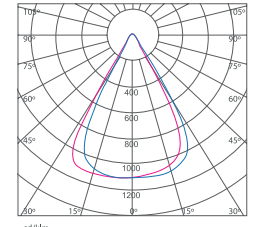


PHOTOMETRIC

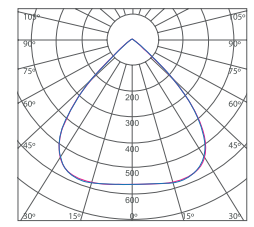
Narrow Beam



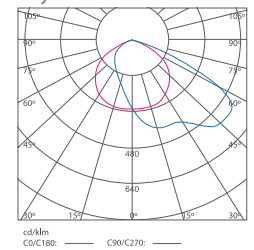
Medium Beam



Wide Beam



Asymmetrical Beam



Note: All specifications are subject to change without prior notice for product improvement. Images, pictures and illustrations used are for illustrative purposes only and the color printed may differ from the actual product.