



ZULO 280W



ZULO 360W

LUMINAIRE SPECIFICATIONS

- Power 280W
360W
- Fitting Material Non-Corrosive Die-Cast Aluminium
- Fitting Color Black
- Optical Cover Transparency Tempered Glass
- Ingress Protection IP65
- Impact Protection IK08
- Voltage 220 ~ 240 Vac 50 / 60Hz
- Electrical Safety Class Class I
- Operating Temperature -30 ~ +45°C
- Installation Mounting Bracket
- Surge Protections Yes, 4kV
- Pre-Wire 300 mm

APPLICATION

- Parks, Gardens, Facade Lightings, Parking Areas, Commercial and Residential Areas

LED MODULE SPECIFICATIONS

- Color Temperature 3000K Warm White
5700K Daylight
- Color Rendering Index (CRI) >70
- L70 100,000 Hrs @ 25°C
- PCB Material Metal Core

FEATURES

- Built-In IC Technology
- Direct AC Supply Connection (220 ~ 240 Vac 50 / 60Hz)
- No External Driver Required
- High System Efficiency
- Mid Power LEDs
- Thin & Lightweight Size
- Internal Surge Protection Devices (SPD)

COMPLIANCE STANDARD

- LED LM80
- Luminaire EN60598-1, EN60598-2-5, EN62493, EN55015, EN61547, EN61000



MEASUREMENT & ORDER CODE

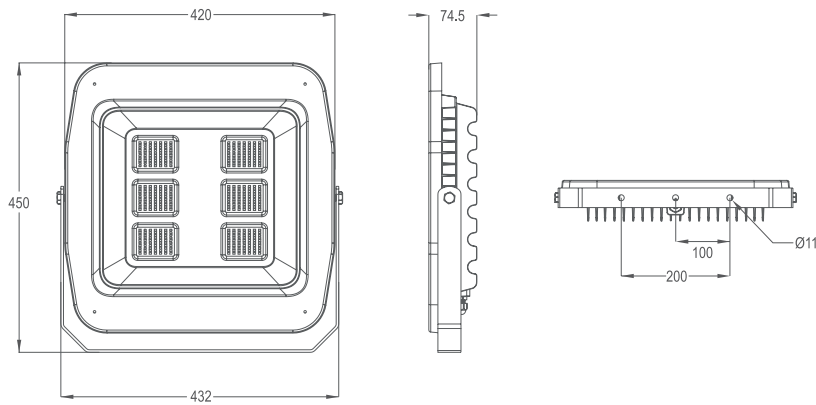
WATTAGE	ORDER CODE	TYPICAL LUMINOUS FLUX	TYPICAL WATTAGE	CARTON DIMENSION (L x W x H) mm	NETT WEIGHT
280W	K10145 280W	27300	280	460 x 460 x 110	8 kg
360W	K10146 360W	35300	360	505 x 505 x 115	11 kg

* Please indicate LED color temperature when ordering.
* All result tested base on 5700K CCT LEDs.



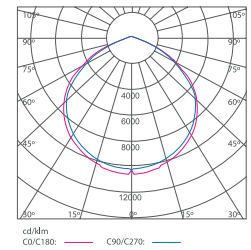
DIMENSION

ZULO K10145 280W

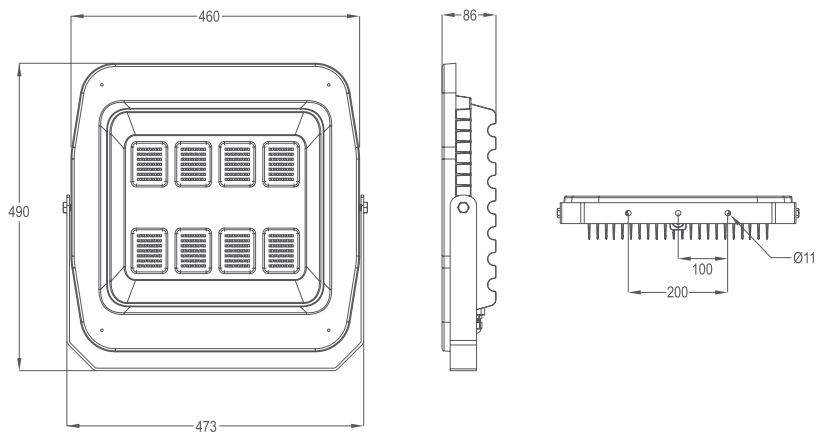


PHOTOMETRIC

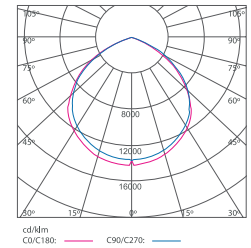
ZULO K10145 280W



ZULO K10146 360W



ZULO K10146 360W





ZULO 150W



ZULO 200W

LUMINAIRE SPECIFICATIONS

- Power 150W
200W
- Fitting Material Non-Corrosive Die-Cast Aluminium
- Fitting Color Black
- Optical Cover Transparency Tempered Glass
- Ingress Protection IP65
- Impact Protection IK08
- Voltage 220 ~ 240 Vac 50 / 60Hz
- Electrical Safety Class Class I
- Operating Temperature -30 ~ +45°C
- Installation Mounting Bracket
- Surge Protections Yes, 4kV
- Pre-Wire 300 mm

APPLICATION

- Parks, Gardens, Facade Lightings, Parking Areas, Commercial and Residential Areas

LED MODULE SPECIFICATIONS

- Color Temperature 3000K Warm White
5700K Daylight
- Color Rendering Index (CRI) >70
- L70 100,000 Hrs @ 25°C
- PCB Material Metal Core

FEATURES

- Built-In IC Technology
- Direct AC Supply Connection (220 ~ 240 Vac 50 / 60Hz)
- No External Driver Required
- High System Efficiency
- Mid Power LEDs
- Thin & Lightweight Size
- Internal Surge Protection Devices (SPD)

COMPLIANCE STANDARD

- LED LM80
- Luminaire EN60598-1, EN60598-2-5, EN62493, EN55015, EN61547, EN61000



MEASUREMENT & ORDER CODE

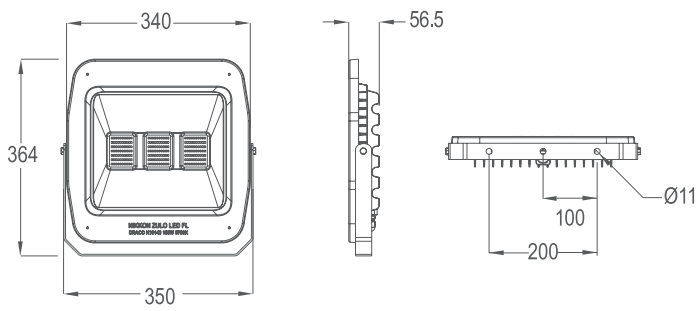
WATTAGE	ORDER CODE	TYPICAL LUMINOUS FLUX	TYPICAL WATTAGE	CARTON DIMENSION (L x W x H) mm	NETT WEIGHT
150W	K10143 150W	13500	150	Inner : 375 x 375 x 67 Outer: 390 x 370 x 395 * 5 pcs per carton	3.6 kg
200W	K10144 200W	18000	200	Inner : 420 x 420 x 72 Outer: 435 x 395 x 440 * 5 pcs per carton	4.7 kg

* Please indicate LED color temperature when ordering.
* All result tested base on 5700K CCT LEDs.



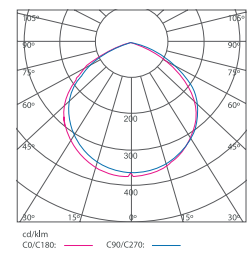
DIMENSION

ZULO K10143 150W

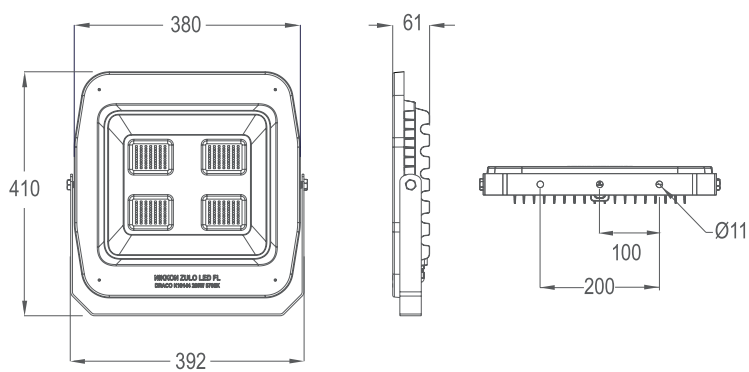


PHOTOMETRIC

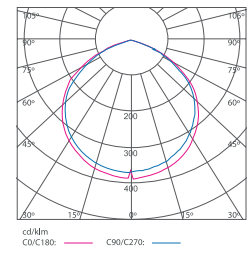
ZULO K10143 150W



ZULO K10144 200W



ZULO K10144 200W





ZULO 30W



ZULO 50W



ZULO 100W

LUMINAIRE SPECIFICATIONS

- **Power** 30W
50W
100W
- **Fitting Material** Non-Corrosive Die-Cast Aluminium
- **Fitting Color** Black
- **Optical Cover** Transparency Tempered Glass
- **Ingress Protection** IP65
- **Impact Protection** IK08
- **Voltage** 220 ~ 240 Vac 50 / 60Hz
- **Electrical Safety Class** Class I
- **Operating Temperature** -30 ~ +45°C
- **Installation** Mounting Bracket
- **Surge Protections** Yes, 4kV
- **Pre-Wire** 300 mm

APPLICATION

- Parks, Gardens, Facade Lightings, Parking Areas, Commercial and Residential Areas

LED MODULE SPECIFICATIONS

- **Color Temperature** 3000K Warm White
5700K Daylight
- **Color Rendering Index (CRI)** >70
- **L70** 100,000 Hrs @ 25°C
- **PCB Material** Metal Core

FEATURES

- Built-In IC Technology
- Direct AC Supply Connection (220 ~ 240 Vac 50 / 60Hz)
- No External Driver Required
- High System Efficiency
- Mid Power LEDs
- Thin & Lightweight Size
- Internal Surge Protection Devices (SPD)

COMPLIANCE STANDARD

- **LED** LM80
- **Luminaire** EN60598-1, EN60598-2-5, EN62493, EN55015, EN61547, EN61000



MEASUREMENT & ORDER CODE

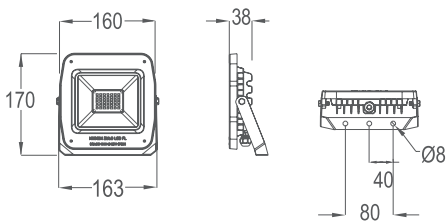
WATTAGE	ORDER CODE	TYPICAL LUMINOUS FLUX	TYPICAL WATTAGE	CARTON DIMENSION (L x W x H) mm	NETT WEIGHT
30W	K10140 30W	3150	30	Inner : 180 x 180 x 40 Outer: 460 x 380 x 195 * 20 pcs per carton	0.7 kg
50W	K10141 50W	5250	50	Inner : 210 x 210 x 50 Outer: 440 x 275 x 230 * 10 pcs per carton	1.0 kg
100W	K10142 100W	10800	100	Inner : 328 x 328 x 58 Outer: 620 x 340 x 345 * 10 pcs per carton	2.8 kg

* Please indicate LED color temperature when ordering.
* All result tested base on 5700K CCT LEDs.



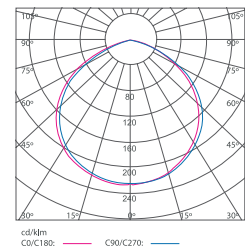
DIMENSION

ZULO K10140 30W

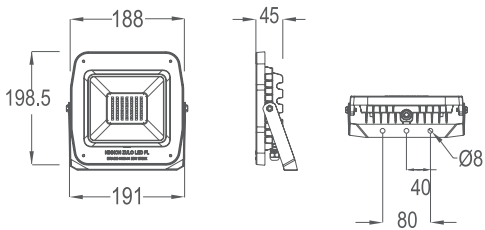


PHOTOMETRIC

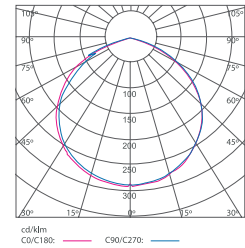
ZULO K10140 30W



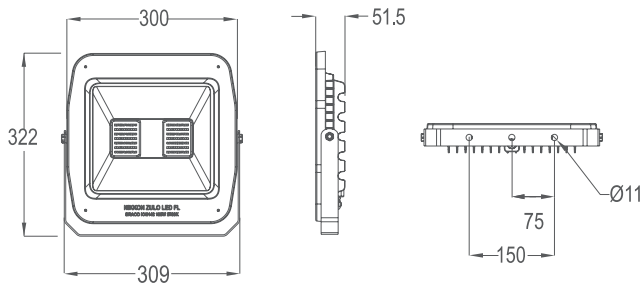
ZULO K10141 50W



ZULO K10141 50W



ZULO K10142 100W



ZULO K10142 100W

