

## LEDXION LANDSCAPE LUMINAIRE



### LUMINAIRE SPECIFICATIONS

- **Power** 90W  
60W  
30W
- **Fitting Material** Non-Corrosive Die-Cast Aluminium
- **Fitting Color** White Aluminium, Akzo Nobel RAL9006
- **Ingress Protection** IP54
- **Voltage** 90 ~ 295 Vac 50 / 60Hz
- **Electrical Safety Class** Class I
- **Operating Temperature** -30 ~ +50°C
- **Surge Protections** 10KV, 20KA

### LED MODULE SPECIFICATIONS

- **Color Temperature** 3000K Warm White  
5000K Cool White
- **Color Rendering Index (CRI)** >70
- **L70** 50,000 Hrs @ 25°C

### COMPLIANCE STANDARD

- **LED** LM80, UL, RoHS
- **Driver** CE, EN62493, EN61347, EN50581, EN55015, EN61000, EN61547, EN62384

### APPLICATION

- Pedestrian Precincts, Shopping Areas, City Centers, Car Parks, Parks & Gardens

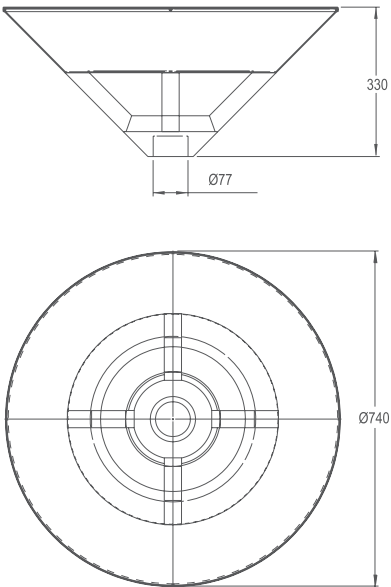
### MEASUREMENT & ORDER CODE

WATTAGE	ORDER CODE	NO. OF LEDS	TYPICAL LUMINOUS FLUX	TYPICAL WATTAGE	NETT WEIGHT
90W	K12102 90W	42	7760	103	13.5 kg (excluding pole weight)
60W	K12103 60W	28	5230	67	
30W	K12105 30W	14	3680	34	

\* Please indicate LED color temperature when ordering.  
\* All result tested base on 5000K CCT LEDs.



## DIMENSION



## PHOTOMETRIC

