



### LUMINAIRE SPECIFICATIONS

|                         |   |
|-------------------------|---|
| • Power                 | 40W<br>60W<br>75W                                     |
| • Fitting Material      | Non-Corrosive Cast Aluminium                          |
| • Fitting Color         | Black / Light Grey                                    |
| • Optical Cover         | Tempered Glass  |
| • Ingress Protection    | IP66  |
| • Impact Protection     | IK08  |
| • Voltage               | 220 ~ 240 Vac 50 / 60Hz                               |
| • Power Factor          | ≥0.9 (at Full Load)                                   |
| • Operating Temperature | -30 ~ 40°C  |
| • Installation          | Ø60mm / Ø76mm (Upon Request)<br>Post Top or Round Bar |
| • Surge Protections     | 4KV   |
| • Pre - Wire            | 1.5m  |

### LED MODULE SPECIFICATIONS

|                               |   |
|-------------------------------|---|
| • LED Chips                   | 3030                                    |
| • Color Temperature           | 3000K Warm White<br>4000K Neutral White |
| • Color Rendering Index (CRI) | RA >70                                  |
| • L70                         | 50,000 Hrs @ 25°C                       |
| • Beam Angle                  | Type V (140° x 140°)                    |
| • PCB Material                | Metal Core                              |

### COMPLIANCE STANDARD

|          |  |
|----------|--|
| • LED    | LM80, UL, RoHS   |
| • Driver | CE, EN62493, EN61347, EN50581,<br>EN55015, EN61000, EN61547, EN62384 |



### APPLICATION

- Courtyard, Garden, Community, Causeway

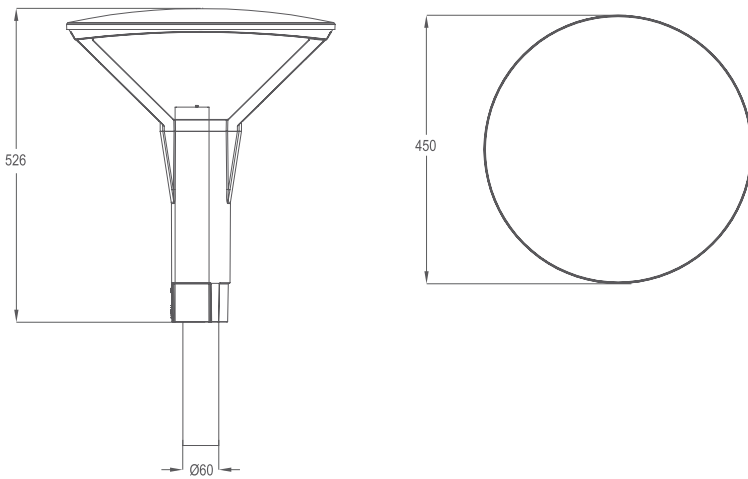
### MEASUREMENT & ORDER CODE

| WATTAGE | LUMEN  | CONSUMPTION | CARTON DIMENSION<br>(L x W x H) mm | NETT WEIGHT |
|---------|--------|-------------|------------------------------------|-------------|
| 40W     | 4800lm | 42W         | 530 x 530 x 245                    | 7.5 kg      |
| 60W     | 7200lm | 63W         | 530 x 530 x 245                    | 7.5 kg      |
| 75W     | 9000lm | 79W         | 530 x 530 x 245                    | 7.5 kg      |

\* Please indicate LED color temperature when ordering.  
\* All result tested base on 3000K CCT LEDs.



## DIMENSION



## PHOTOMETRIC

