



LED Slim Downlight ESII

Features

- High Lumen Output
- Long lifespan
- Easy to installation

Benefits

- Up to 50% energy saving compared to conventional downlight
- Lasts 3 times longer than conventional downlight , up to 30000hrs lifetime
- Driver on board in compact size ensure 1 step plug-and-play installation

Application



Specification

Item Code	Item Description	Power (W)	Power Factor	Lumen (lm)	Efficacy (lm/W)	Beam Angle (°)	CRI	Input Current (mA)	CCT (K)	Lifetime (L70B50)	MOQ (pcs)
540001178910	LEDDownlightRc-HPF ESII R100-6W-3000-WH	6	0.9	540	90	110	>80	30	3000	30000	600
540001178110	LEDDownlightRc-HPF ESII R100-6W-4000-WH	6	0.9	540	90	110	>80	30	4000	30000	600
540001178610	LEDDownlightRc-HPF ESII R100-6W-6500-WH	6	0.9	540	90	110	>80	30	6500	30000	600
540001180310	LEDDownlightRc-HPF ESII R150-12W-3000-WH	12	0.9	1080	90	110	>80	60	3000	30000	600
540001179410	LEDDownlightRc-HPF ESII R150-12W-4000-WH	12	0.9	1080	90	110	>80	60	4000	30000	600
540001178710	LEDDownlightRc-HPF ESII R150-12W-6500-WH	12	0.9	1080	90	110	>80	60	6500	30000	600
540001179210	LEDDownlightRc-HPF ESII R200-18W-3000-WH	18	0.9	1620	90	110	>80	90	3000	30000	600
540001178510	LEDDownlightRc-HPF ESII R200-18W-4000-WH	18	0.9	1620	90	110	>80	90	4000	30000	600
540001180210	LEDDownlightRc-HPF ESII R200-18W-6500-WH	18	0.9	1620	90	110	>80	90	6500	30000	600
540001179610	LEDDownlightRc-HPF ESII R200-24W-3000-WH	24	0.9	2160	90	110	>80	120	3000	30000	600
540001179010	LEDDownlightRc-HPF ESII R200-24W-4000-WH	24	0.9	2160	90	110	>80	120	4000	30000	600
540001178310	LEDDownlightRc-HPF ESII R200-24W-6500-WH	24	0.9	2160	90	110	>80	120	6500	30000	600
540001180010	LEDDownlightRc-HPF ESII S100-6W-3000-WH	6	0.9	540	90	110	>80	30	3000	30000	600
540001179310	LEDDownlightRc-HPF ESII S100-6W-4000-WH	6	0.9	540	90	110	>80	30	4000	30000	600
540001179810	LEDDownlightRc-HPF ESII S100-6W-6500-WH	6	0.9	540	90	110	>80	30	6500	30000	600
540001179110	LEDDownlightRc-HPF ESII S150-12W-3000-WH	12	0.9	1080	90	110	>80	60	3000	30000	600
540001178410	LEDDownlightRc-HPF ESII S150-12W-4000-WH	12	0.9	1080	90	110	>80	60	4000	30000	600
540001180110	LEDDownlightRc-HPF ESII S150-12W-6500-WH	12	0.9	1080	90	110	>80	60	6500	30000	600
540001179510	LEDDownlightRc-HPF ESII S200-18W-3000-WH	18	0.9	1620	90	110	>80	90	3000	30000	600
540001178810	LEDDownlightRc-HPF ESII S200-18W-4000-WH	18	0.9	1620	90	110	>80	90	4000	30000	600
540001178210	LEDDownlightRc-HPF ESII S200-18W-6500-WH	18	0.9	1620	90	110	>80	90	6500	30000	600
540001179910	LEDDownlightRc-HPF ESII S200-24W-3000-WH	24	0.9	2160	90	110	>80	120	3000	30000	600
540001180410	LEDDownlightRc-HPF ESII S200-24W-4000-WH	24	0.9	2160	90	110	>80	120	4000	30000	600
540001179710	LEDDownlightRc-HPF ESII S200-24W-6500-WH	24	0.9	2160	90	110	>80	120	6500	30000	600



Technical Specifications	
On / Off Cycles	50,000
Colour Consistency (SDCM)	6
Dimmable	No
Beam Angle (°)	110
Finishing Colour	White
IP	IP44, IP20 for recessed parts
Driver Integrated (Yes/No)	YES
Glow Wire Test	650°C
Driver Failure Rate	1% at 5000h
Weight (kg/pc)	0.13/0.23/0.41/0.41/0.15 /0.24/0.51/0.51

Electrical Supply	
Frequency (Hz)	50/60
Voltage (V)	220-240
AC/DC	AC

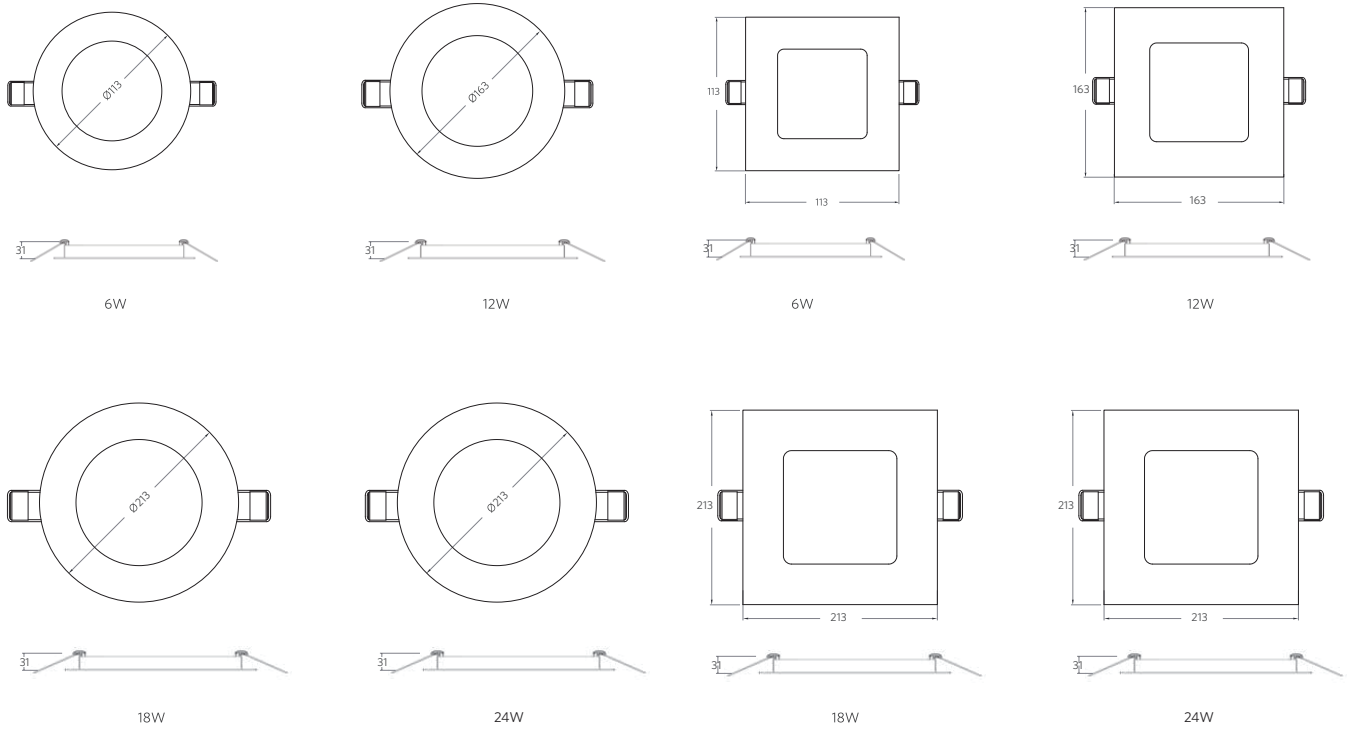
Mechanical Properties	
Housing Material	Metal
Optical Material	PMMA

Application Conditions	
Operating Temperature	-10-40°C
Application Temperature	25°C
Storage Environment	-25-50°C

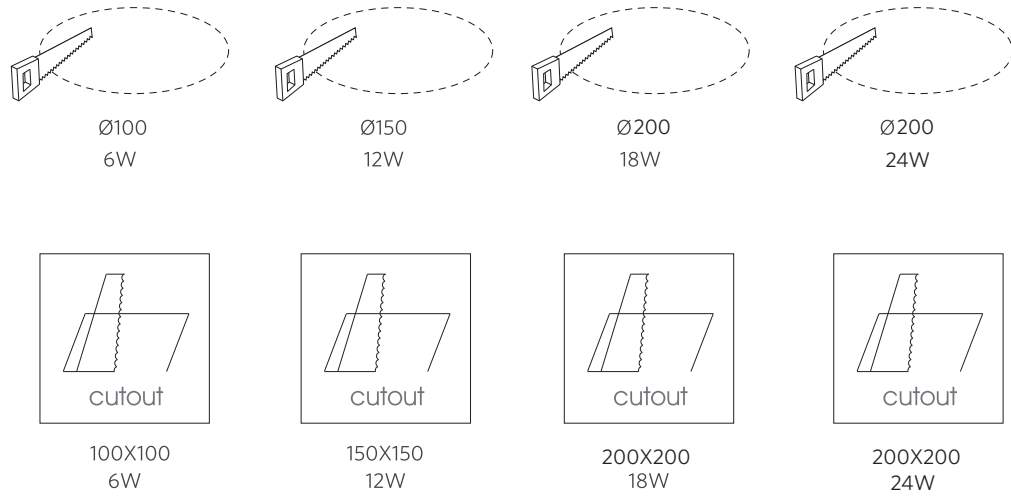
Packaging Information

Item		Single Box(1pc/box)		Outer box		
Item Code	Item Description	Dimensions(mm) (LxWxH)	Gross Weight (kg)	Dimensions(mm) (LxWxH)	Gross Weight (kg)	Packing Qty (pc/unit)
540001178910	LEDDownlightRc-HPF ESII R100-6W-3000-WH	132*132*55	0.21	303*282*308	4.16	20
540001178110	LEDDownlightRc-HPF ESII R100-6W-4000-WH	132*132*55	0.21	303*282*308	4.16	20
540001178610	LEDDownlightRc-HPF ESII R100-6W-6500-WH	132*132*55	0.21	303*282*308	4.16	20
540001180310	LEDDownlightRc-HPF ESII R150-12W-3000-WH	190*190*53	0.41	571*212*213	4.14	10
540001179410	LEDDownlightRc-HPF ESII R150-12W-4000-WH	190*190*53	0.41	571*212*213	4.14	10
540001178710	LEDDownlightRc-HPF ESII R150-12W-6500-WH	190*190*53	0.41	571*212*213	4.14	10
540001179210	LEDDownlightRc-HPF ESII R200-18W-3000-WH	248*248*55	0.67	591*273*271	6.69	10
540001178510	LEDDownlightRc-HPF ESII R200-18W-4000-WH	248*248*55	0.67	591*273*271	6.69	10
540001180210	LEDDownlightRc-HPF ESII R200-18W-6500-WH	248*248*55	0.67	591*273*271	6.69	10
540001179610	LEDDownlightRc-HPF ESII R200-24W-3000-WH	248*248*55	0.67	591*273*271	6.69	10
540001179010	LEDDownlightRc-HPF ESII R200-24W-4000-WH	248*248*55	0.67	591*273*271	6.69	10
540001178310	LEDDownlightRc-HPF ESII R200-24W-6500-WH	248*248*55	0.67	591*273*271	6.69	10
540001180010	LEDDownlightRc-HPF ESII S100-6W-3000-WH	150*150*55	0.23	335*317*308	4.56	20
540001179310	LEDDownlightRc-HPF ESII S100-6W-4000-WH	150*150*55	0.23	335*317*308	4.56	20
540001179810	LEDDownlightRc-HPF ESII S100-6W-6500-WH	150*150*55	0.23	335*317*308	4.56	20
540001179110	LEDDownlightRc-HPF ESII S150-12W-3000-WH	210*210*53	0.42	570*233*231	4.21	10
540001180410	LEDDownlightRc-HPF ESII S150-12W-4000-WH	210*210*53	0.42	570*233*231	4.21	10
540001180110	LEDDownlightRc-HPF ESII S150-12W-6500-WH	210*210*53	0.42	570*233*231	4.21	10
540001179510	LEDDownlightRc-HPF ESII S200-18W-3000-WH	273*273*55	0.77	590*296*294	7.68	10
540001178810	LEDDownlightRc-HPF ESII S200-18W-4000-WH	273*273*55	0.77	590*296*294	7.68	10
540001178210	LEDDownlightRc-HPF ESII S200-18W-6500-WH	273*273*55	0.77	590*296*294	7.68	10
540001179910	LEDDownlightRc-HPF ESII S200-24W-3000-WH	273*273*55	0.77	590*296*294	7.68	10
540001180410	LEDDownlightRc-HPF ESII S200-24W-4000-WH	273*273*55	0.77	590*296*294	7.68	10
540001179710	LEDDownlightRc-HPF ESII S200-24W-6500-WH	273*273*55	0.77	590*296*294	7.68	10

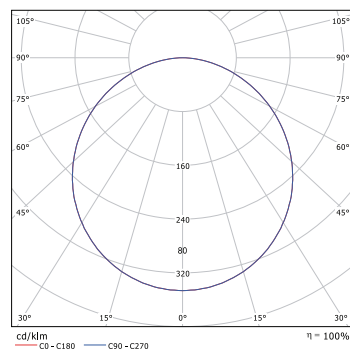
Dimensional Drawing



Cut-out Drawing



Photometric Data



110° (6W/12W/18W/24W)