



LED Downlight HZII

Features

- Easy installation
- High efficacy
- Long lifespan

Benefits

- Full range of sizes 4" 6" 7" 8" ideal choice for replacement projects
- Die-cast aluminum design for up to 30,000 hours of life
- System efficacy up to 90lm/W
- Ring and lamp body separate design for easy installation and improved assembly efficiency

Application



Home



Shopping Mall



Office



Hotel

Specification

Item Code	Item Description	Power (W)	Power Factor	Lumen (lm)	Efficacy (lm/W)	Input Current (mA)	Lifetime (L70B50)	MOQ (pcs)
540001039010	OP-DL-HZII-R100-10W-3000	10	0.9	850	85	55	50Khrs	540
540001039110	OP-DL-HZII-R100-10W-4000	10	0.9	900	90	55	50Khrs	540
540001039210	OP-DL-HZII-R100-10W-5700	10	0.9	900	90	55	50Khrs	540
540001039310	OP-DL-HZII-R150-15W-3000	15	0.9	1575	105	78	50Khrs	540
540001039410	OP-DL-HZII-R150-15W-4000	15	0.9	1650	110	78	50Khrs	540
540001039510	OP-DL-HZII-R150-15W-5700	15	0.9	1650	110	78	50Khrs	540
540001039610	OP-DL-HZII-R175-20W-3000	20	0.9	1860	93	106	50Khrs	540
540001039710	OP-DL-HZII-R175-20W-4000	20	0.9	2000	100	106	50Khrs	540
540001039810	OP-DL-HZII-R175-20W-5700	20	0.9	2000	100	106	50Khrs	540
540001039910	OP-DL-HZII-R200-30W-3000	30	0.9	3150	105	140	50Khrs	520
540001040010	OP-DL-HZII-R200-30W-4000	30	0.9	3300	110	140	50Khrs	520
540001040110	OP-DL-HZII-R200-30W-5700	30	0.9	3300	110	140	50Khrs	520
540001040210	OP-DL-HZII-R200-40W-3000	40	0.9	3700	92.5	175	50Khrs	520
540001040310	OP-DL-HZII-R200-40W-4000	40	0.9	4000	100	175	50Khrs	520
540001040410	OP-DL-HZII-R200-40W-5700	40	0.9	4000	100	175	50Khrs	520

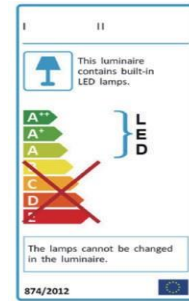
Technical Specifications	
CRI	80
Colour Consistency (SDCM)	≤6
Dimmable	No
Housing Colour	White
IP	IP20
IK	IK02
Driver integrated (Yes/No)	No
Glow wire test	650°C
Driver failure rate	1% at 5000h
Weight (pc/kg)	0.166/0.216/0.397/0.574

Electrical Supply	
Frequency (Hz)	50/60Hz
Voltage (V)	220V-240V
AC/DC	AC

Mechanical Properties	
Optical Material	Aluminium Alloy
Housing Material	PC

Application Conditions	
Operating Temperature	-10 ~45°C
Application Temperature	25°C
Storage Environment	-25°C ~50°C

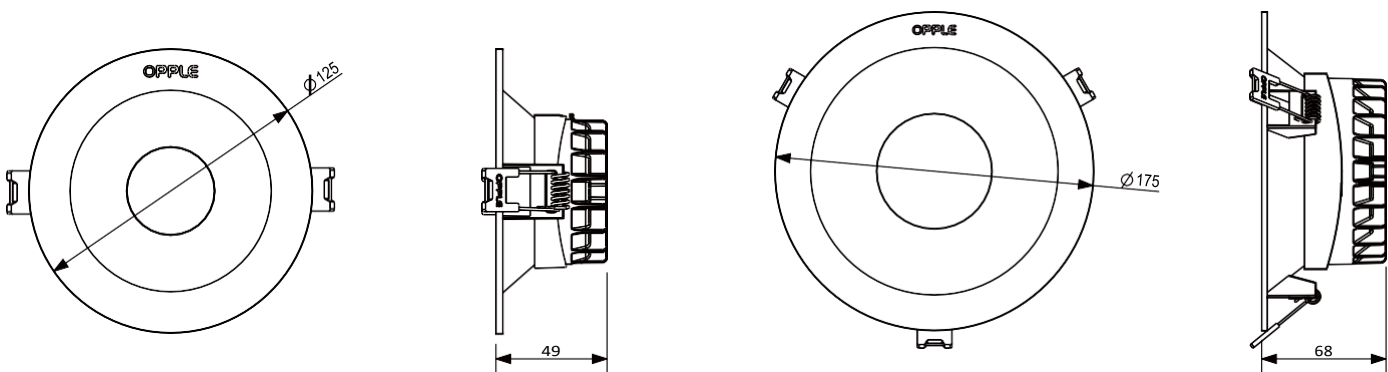
CE CB



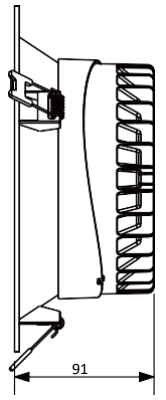
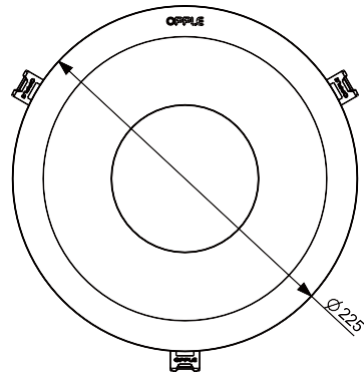
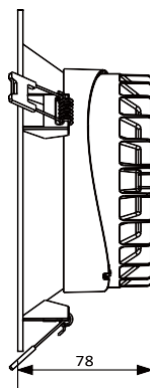
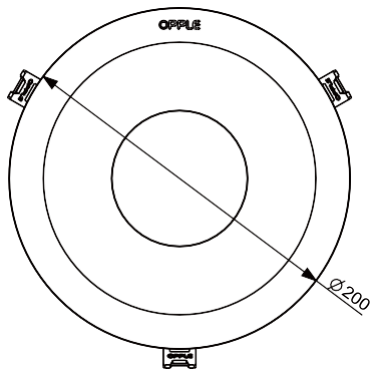
Packaging Information

Item		Single Box(1pc/box)		Outer box		
Item Code	Item Description	Dimensions(mm) (LxWxH)	Gross Weight (kg)	Dimensions(mm) (LxWxH)	Gross Weight (kg)	Packing Qty (pcs/CTN)
540001039010	LEDDownlightRc-HZII R100-10W-3000-WH-GP	129*59*130	0.304	405*315*280	9.12	30
540001039110	LEDDownlightRc-HZII R100-10W-4000-WH-GP	129*59*130	0.304	405*315*280	9.12	30
540001039210	LEDDownlightRc-HZII R100-10W-5700-WH-GP	129*59*130	0.304	405*315*280	9.12	30
540001039310	LEDDownlightRc-HZII R150-15W-3000-WH-GP	199*192*80	0.363	415*400*425	7.26	20
540001039410	LEDDownlightRc-HZII R150-15W-4000-WH-GP	199*192*80	0.363	415*400*425	7.26	20
540001039510	LEDDownlightRc-HZII R150-15W-5700-WH-GP	199*192*80	0.363	415*400*425	7.26	20
540001039610	LEDDownlightRc-HZII R175-20W-3000-WH-GP	228*217*90	0.67	470*450*295	8.04	12
540001039710	LEDDownlightRc-HZII R175-20W-4000-WH-GP	228*217*90	0.67	470*450*295	8.04	12
540001039810	LEDDownlightRc-HZII R175-20W-5700-WH-GP	228*217*90	0.67	470*450*295	8.04	12
540001039910	LEDDownlightRc-HZII R200-30W-3000-WH-GP	258*251*102	0.982	530*265*435	7.856	8
540001040010	LEDDownlightRc-HZII R200-30W-4000-WH-GP	258*251*102	0.982	530*265*435	7.856	8
540001040110	LEDDownlightRc-HZII R200-30W-5700-WH-GP	258*251*102	0.982	530*265*435	7.856	8
540001040210	LEDDownlightRc-HZII R200-40W-3000-WH-GP	258*251*102	0.982	530*265*435	7.856	8
540001040310	LEDDownlightRc-HZII R200-40W-4000-WH-GP	258*251*102	0.982	530*265*435	7.856	8
540001040410	LEDDownlightRc-HZII R200-40W-5700-WH-GP	258*251*102	0.982	530*265*435	7.856	8

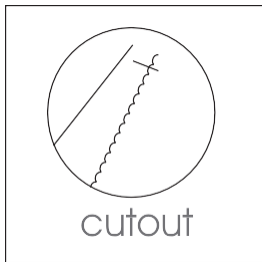
Dimensional Drawing



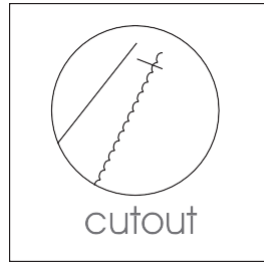
ESL
LIGHTING



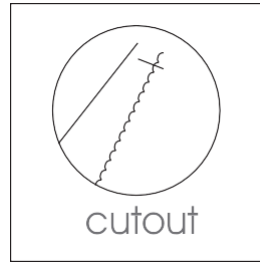
Cut-out Drawing



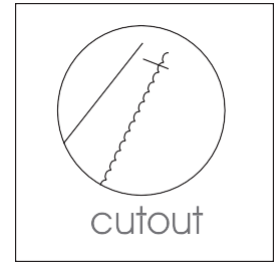
$\varnothing 100\text{mm}$
10W



$\varnothing 150\text{mm}$
15W



$\varnothing 175\text{mm}$
20W



$\varnothing 200\text{mm}$
30W/40W

Photometric Data

