

# Perkunas

Diluluskan Oleh / Approved by:



BETTER LIGHT QUALITY  
MORE ENERGY EFFICIENT



## LED PANEL LIGHT



12W

VOLTAGE 220-240V 50/60Hz  
CCT 6500K|4000K|3000K  
SHAPE ROUND|SQUARE  
SIZE 4 INCH  
QUANTITY 60



18W

VOLTAGE 220-240V 50/60Hz  
CCT 6500K|4000K|3000K  
SHAPE ROUND|SQUARE  
SIZE 6 INCH  
QUANTITY 30



24W

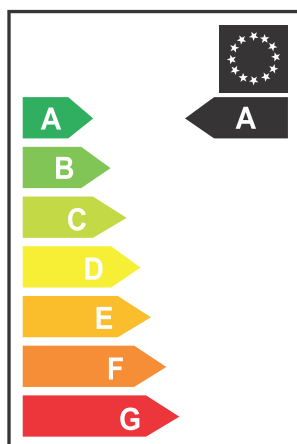
VOLTAGE 220-240V 50/60Hz  
CCT 6500K|4000K|3000K  
SHAPE ROUND|SQUARE  
SIZE 8 INCH  
QUANTITY 30



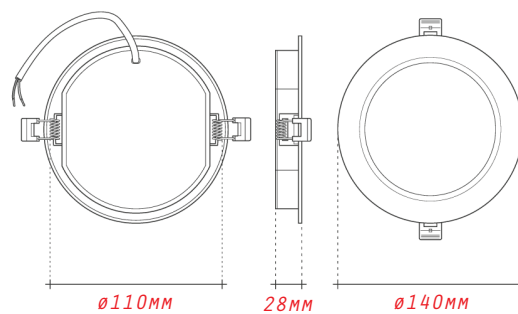
BETTER LIGHT QUALITY  
MORE ENERGY EFFICIENT



## 12W ROUND LED PANEL LIGHT



Diluluskan Oleh / Approved by:



Diffusor Material	PS
Driver Lifetime	25000Hr
Input Voltage	220V-50Hz
Lamp Bead Type	2835 3V
Lamp Bead QTY TOTAL	110°

Luminous Flux	960lm
Wattage	12W
Power Factor	0.5
Base Material	Fe
Input Current	95mA

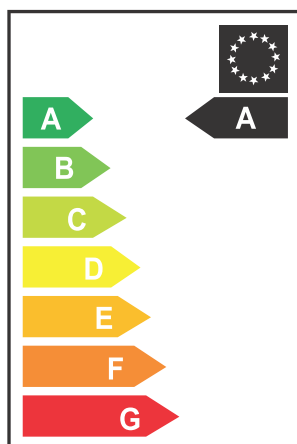
CRI	≥70
PCB Material	ALU
Size	4inches
Diameter	ø145mm
IP Rate	IP20



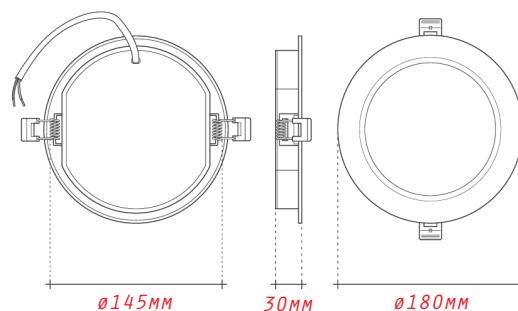
BETTER LIGHT QUALITY  
MORE ENERGY EFFICIENT



## 18W ROUND LED PANEL LIGHT



Diluluskan Oleh / Approved by:



Diffusor Material	PS
Driver Lifetime	25000Hr
Input Voltage	220V-50Hz
Lamp Bead Type	2835 3V
Lamp Bead QTY TOTAL	110°

Luminous Flux	1440lm
Wattage	18W
Power Factor	0.5
Base Material	Fe
Input Current	140mA

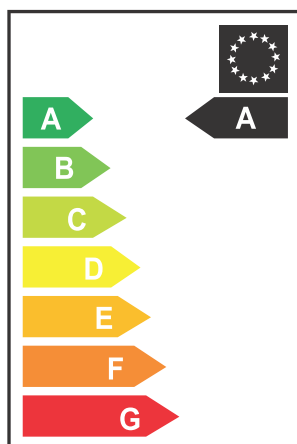
CRI	≥70
PCB Material	ALU
Size	6inches
Diameter	ø180mm
IP Rate	IP20



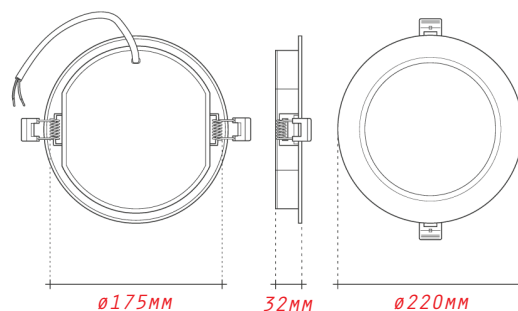
BETTER LIGHT QUALITY  
MORE ENERGY EFFICIENT



## 24W ROUND LED PANEL LIGHT



Diluluskan Oleh / Approved by:



Diffusor Material	PS
Driver Lifetime	25000Hr
Input Voltage	220V-50Hz
Lamp Bead Type	2835 3V
Lamp Bead QTY TOTAL	110°

Luminous Flux	1920lm
Wattage	24W
Power Factor	0.5
Base Material	Fe
Input Current	190mA

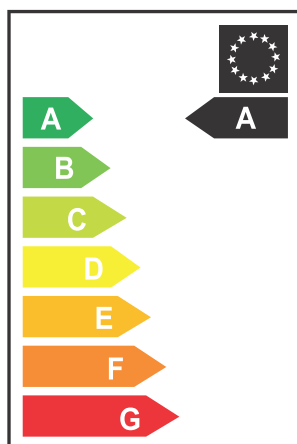
CRI	≥70
PCB Material	ALU
Size	8inches
Diameter	ø220mm
IP Rate	IP20



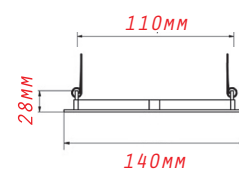
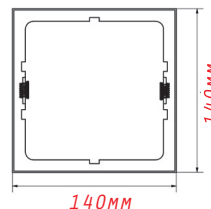
BETTER LIGHT QUALITY  
MORE ENERGY EFFICIENT



## 12W SQUARE LED PANEL LIGHT



Diluluskan Oleh / Approved by:



Diffusor Material	PS
Driver Lifetime	25000Hr
Input Voltage	220V-50Hz
Lamp Bead Type	2835 3V
Lamp Bead QTY TOTAL	110°

Luminous Flux	960lm
Wattage	12W
Power Factor	0.5
Base Material	Fe
Input Current	95mA

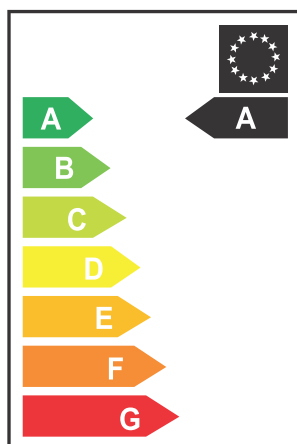
CRI	≥70
PCB Material	ALU
Size	4inches
Diameter	ø140mm
IP Rate	IP20



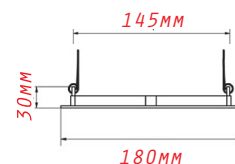
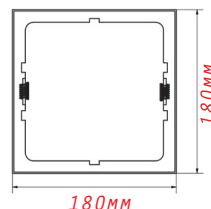
BETTER LIGHT QUALITY  
MORE ENERGY EFFICIENT



## 18W SQUARE LED PANEL LIGHT



Diluluskan Oleh / Approved by:



Diffusor Material	PS
Driver Lifetime	25000Hr
Input Voltage	220V-50Hz
Lamp Bead Type	2835 3V
Lamp Bead QTY TOTAL	110°

Luminous Flux	1440lm
Wattage	18W
Power Factor	0.5
Base Material	Fe
Input Current	140mA

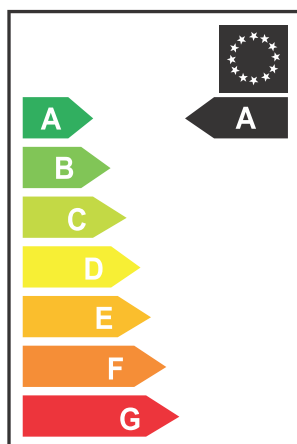
CRI	≥70
PCB Material	ALU
Size	6inches
Diameter	ø180mm
IP Rate	IP20



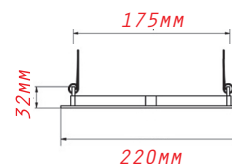
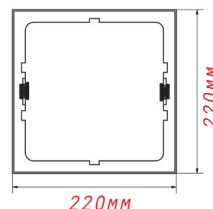
BETTER LIGHT QUALITY  
MORE ENERGY EFFICIENT



## 24W SQUARE LED PANEL LIGHT



Diluluskan Oleh / Approved by:



Diffusor Material	PS
Driver Lifetime	25000Hr
Input Voltage	220V-50Hz
Lamp Bead Type	2835 3V
Lamp Bead QTY TOTAL	110°

Luminous Flux	1920lm
Wattage	24W
Power Factor	0.5
Base Material	Fe
Input Current	190mA

CRI	≥70
PCB Material	ALU
Size	8inches
Diameter	ø220mm
IP Rate	IP20