

Product Code	Description
HC2711	16AX 1 Gang 1 Way Switch



HC2711

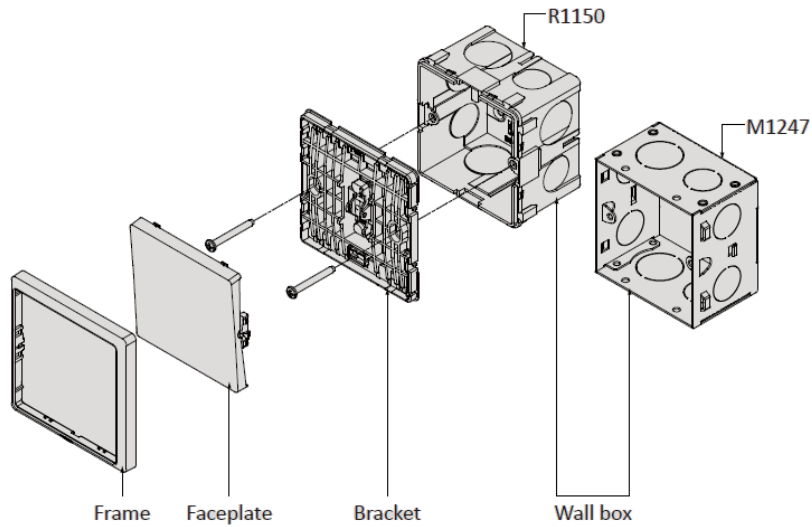


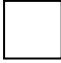




Product back view

## Technical Specification

- Rated Voltage: 250VAC, 50/60Hz
- Rated Current: 16AX
- Recommended wire size:  
2.5mm<sup>2</sup> - 4mm<sup>2</sup>
- Isolating Gap Contact: 3mm nominal
- Contact Material: Ag-Ni Alloy
- Operating Temperature:  
-5°C to +40°C
- IP Rating: IP2X
- No. of operations:  
40,000 operation at 16 Amp
- Dimensions: 86 x 86 x 10mm (WxHxD)
- Fix Center: 60.3 mm
- Fix Screw: M3.5 x 0.6 x 30mm±
- Mounting box: >25mm depth
  - R1150, flush mounting, plastic  
(80 x 80 x 48.4mm) (WxHxD)
  - M1247, flush mounting, metal  
(79 x 73 x 47mm) (WxHxD)
- Comply to standards:  
BS EN 60669-1  
IEC 60669-1  
GB/T 16915.1

## Installation Method



Product Code	Colour
HC2711	 White
HC2711-SBL	 Matt Black (SBL)
HC2711-MSB	 Matt Silver Black (MSB)
HC2711-PS7	 Dark Champagne (PS7)
HC2711-ST5	 Champagne Grey (ST5)
<i>For other colour, please contact T&amp;J Sales representative</i>	

