

Product Code	Description
EA4211-PC	1 Gang RJ45 CAT. 6 Data Socket



EA4211-PC-MSB



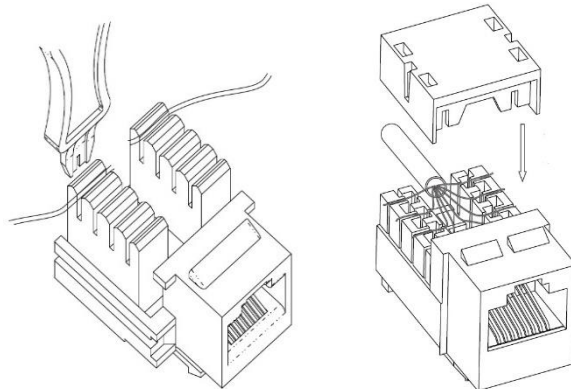
Product back view





Technical Specification

- Dimensions: 86 x 86 x 10mm (WxHxD)
- Fix Center: 60.3 mm
- Fix Screw: M3.5 x 0.6 x 23.5mm±
- Punch-down termination
- Mounting box: >35mm depth
 - R1150, flush mounting, plastic (80 x 80 x 48.4mm) (WxHxD)
 - M1247, flush mounting, metal (79 x 73 x 47mm) (WxHxD)

Typical Wiring Method

Compatible RFI CAT6 Jack:
RJD-60U8883-05B



Product Code	Colour
EA4211-PC	 White
EA4211-PC-SBL	 Matt Black (SBL)
EA4211-PC-MSB	 Matt Silver Black (MSB)
EA4211-PC-MSL	 Matt Silver (MSL)
<i>For other colours, please contact T&J Sales representative</i>	