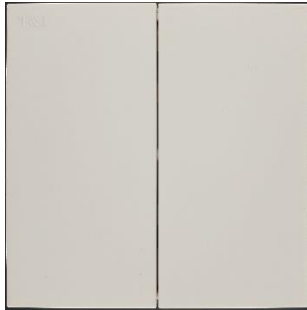


Product Code	Description
EA2712-2	16AX 250V 2 Gang 2 Way Switch



EA2712-2

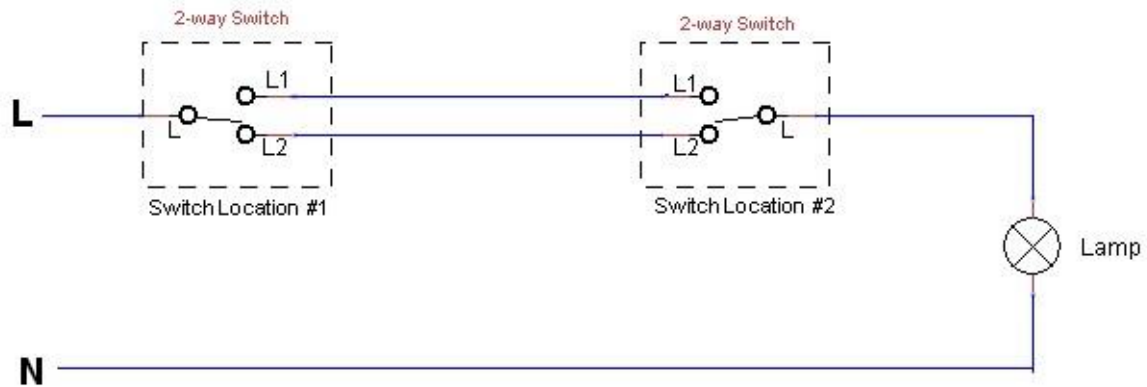


Product back view

Technical Specification

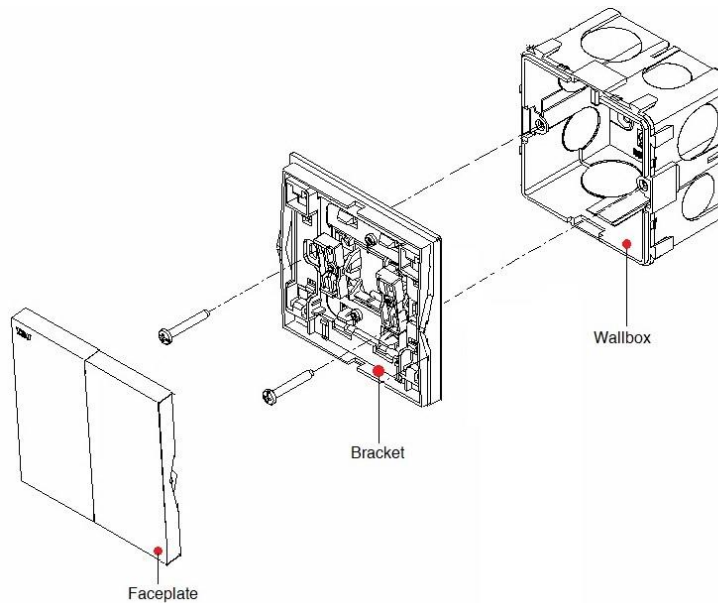
- Rated Voltage: 250VAC, 50/60Hz
- Rated Current: 16AX
- Recommended wire size:
2.5mm² - 4mm²
- Isolating Gap Contact: 3mm nominal
- Contact Material: Silver-Nickel Alloy
- Operating Temperature:
-5°C to +40°C
- IP Rating: IP2X
- No. of operations:
40,000 operations at 16 Amp.
- Dimensions: 86 x 86 x 10mm (WxHxD)
- Fix Centre: 60.3mm
- Fix Screw: M3.5 x 0.6 x 23.5mm±
- Mounting box: >25mm depth
 - R1150, flush mounting, plastic (80 x 80 x 48.4mm) (WxHxD)
 - M1247, flush mounting, metal (79 x 73 x 47mm) (WxHxD)
- Comply to standards:
BS EN 60669-1
IEC 60669-1
GB/T 16915.1

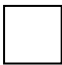


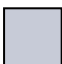
Typical 2-way switch connection



Note: "LOOP" terminal if present - no connection, unless the Neutral loop wire is at switch location

Installation Method



Product Code	Colour
EA2712-2	 White
EA2712-2-SBL	 Matt Black (SBL)
EA2712-2-MSB	 Matt Silver Black (MSB)
EA2712-2-MSL	 Matt Silver (MSL)
<i>For other colours, please contact T&J Sales representative</i>	