

| Product Code | Description   |
|--------------|---|
| EA2721L-DP   | 20A 250V 1 Gang 1 Way Double Pole Switch with Indicator Light |



EA2721L-DP-MSL

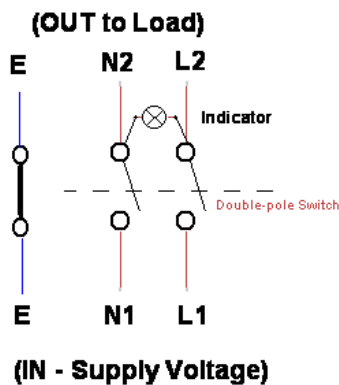


Product back view

## Technical Specification

- Rated Voltage: 250VAC, 50/60Hz
- Rated Current: 20AX
- Recommended wire size:  
4mm<sup>2</sup> - 6mm<sup>2</sup>
- Isolating Gap Contact: 3mm nominal
- Contact Material: Silver-Nickel Alloy
- Operating Temperature:  
-5°C to +40°C
- IP Rating: IP2X
- Indicator Light: Blue LED
- Dimensions: 86 x 86 x 10mm (WxHxD)
- Fix Centre: 60.3mm
- Fix Screw: M3.5 x 0.6 x 23.5mm±
- Mounting box: >25mm depth
  - R1150, flush mounting, plastic (80 x 80 x 48.4mm) (WxHxD)
  - M1247, flush mounting, metal (79 x 73 x 47mm) (WxHxD)
- Comply to standards:  
BS EN 60669-1, IEC 60669-1, GB/T 16915.1

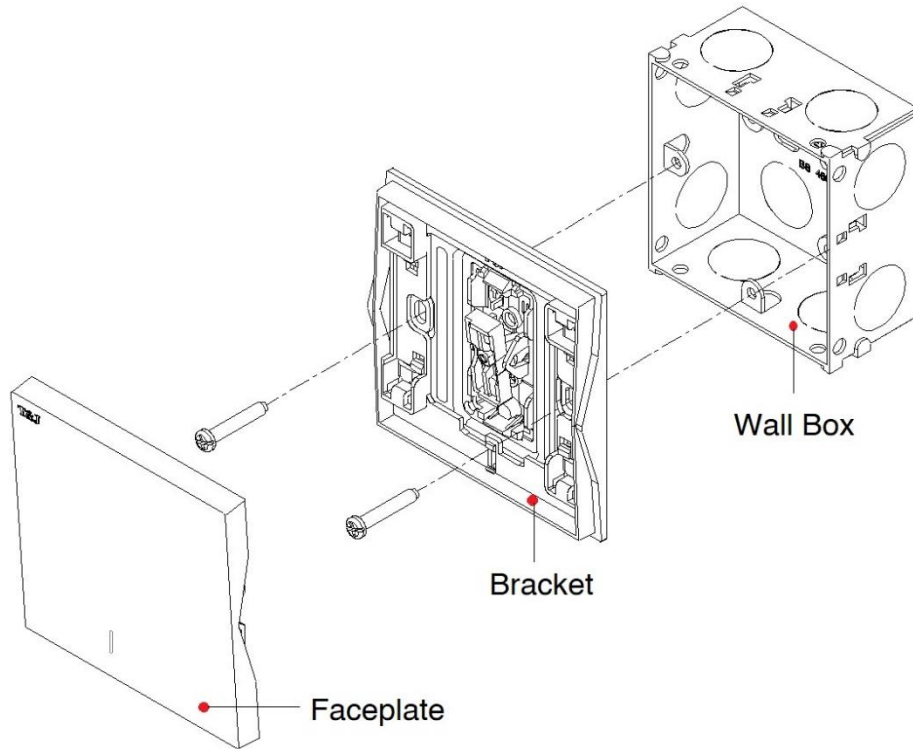
## Typical Wiring







**Note:** LED indicator fly-wires need to be connected across OUT terminals.

**Note:** For high current load application, use the ferrules/sheaths provided for wire terminations.

## Installation Method



| Product Code  | Colour  |
|---|---|
| EA2721L-DP  |  White                   |
| EA2721L-DP-SBL  |  Matt Black (SBL)        |
| EA2721L-DP-MSB  |  Matt Silver Black (MSB) |
| EA2721L-DP-MSL  |  Matt Silver (MSL)       |
| <i>For other colours, please contact T&amp;J Sales representative</i> |   |