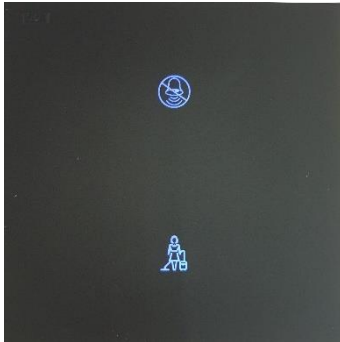


Product Code	Description
EA4202QP-A12B	3.3V - 24V DC 2 Gang Soft Touch Switch with Indicator (12V LED Signage, Common Cathode)



EA4202QP-A12B-SBL



Product back view

## Technical Specification

### Switch:

- Rated Voltage:  $\leq 24\text{VDC}$
- Rated Current:  $< 25\text{mA}$

### LED Indicator:

- Voltage:  $3.3\text{VDC} - 24\text{VDC}^*$
- Current:  $< 5\text{mA}$

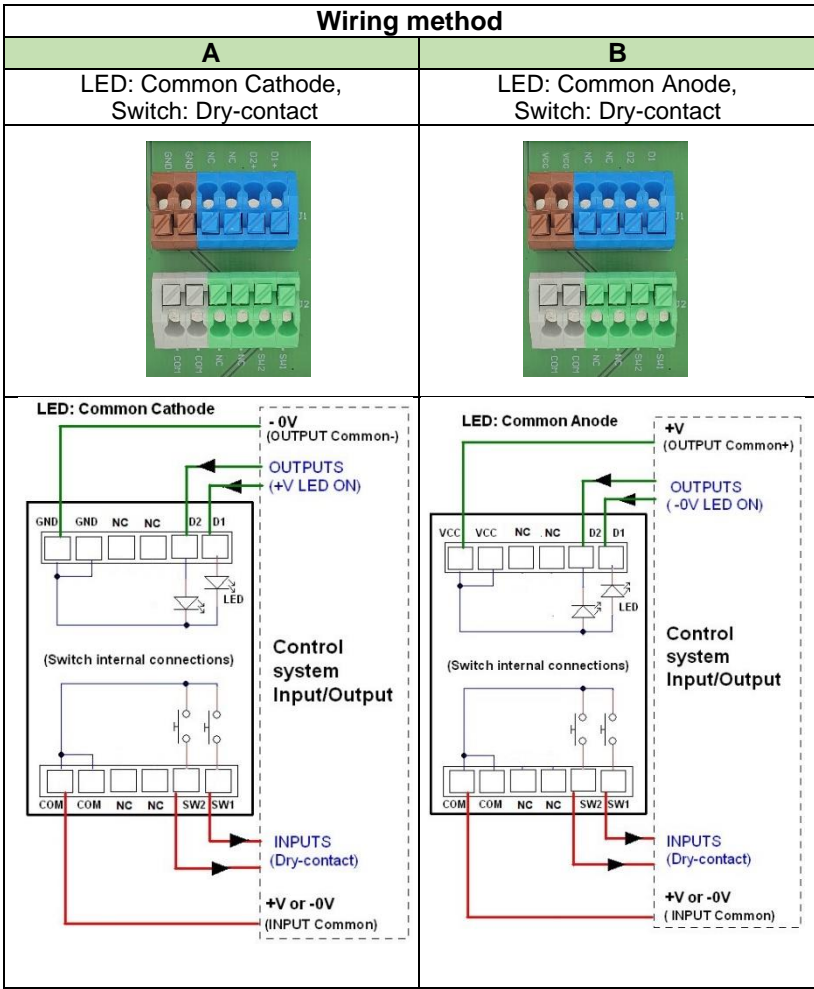
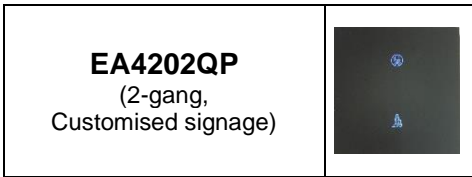
### \*Customer to specify:

- LED indicator wiring, voltage, colour  
Example: EA4202QP-**A12B** - Common Cathode (refer to wiring method), LED 12VDC, Blue LED
- Lettering/graphics engraved on switch rockers

- Termination: Push-in type
- Recommended wire-size:  $0.25\text{ mm}^2 - 1.5\text{ mm}^2$
- Fix Centre: 60.3mm
- Fix Screw: M3.5 x 0.6 x 23.5mm $\pm$
- Dimensions: 86 x 86 x 10mm (WxHxD)
- Mounting box:  $> 25\text{mm}$  depth
  - R1150, flush mounting, plastic (80 x 80 x 48.4mm) (WxHxD)
  - M1247, flush mounting, metal (79 x 73 x 47mm) (WxHxD)

Switch order code:

E A 4 2 0 2 Q P - b b b b - c c c



LED Colour *	
B	Blue
G	Green
R	Red
E	Red/Green

LED Voltage*	
1	3.3VDC
12	12VDC
24	24VDC

Note: D1,SW1- located at bottom (viewing from front of switch).

Product Code	Colour
EA4202QP-A12B	White
EA4202QP-A12B -SBL	Matt Black (SBL)
EA4202QP-A12B -MSB	Matt Silver Black (MSB)
EA4202QP-A12B -MSL	Matt Silver (MSL)

\*Other LED voltage, LED colour, and rocker colour, please contact T&J Sales representative