

## Data Specification







- Finished Item Code:JB1603
- Description:3 Gang Metal Frame
- Range:Lavina
- Applicable standards:BS 5733
- Process Surface Plating
- Operating temperature: -5°C+40°C
- Product Dimensions:95\*95mm

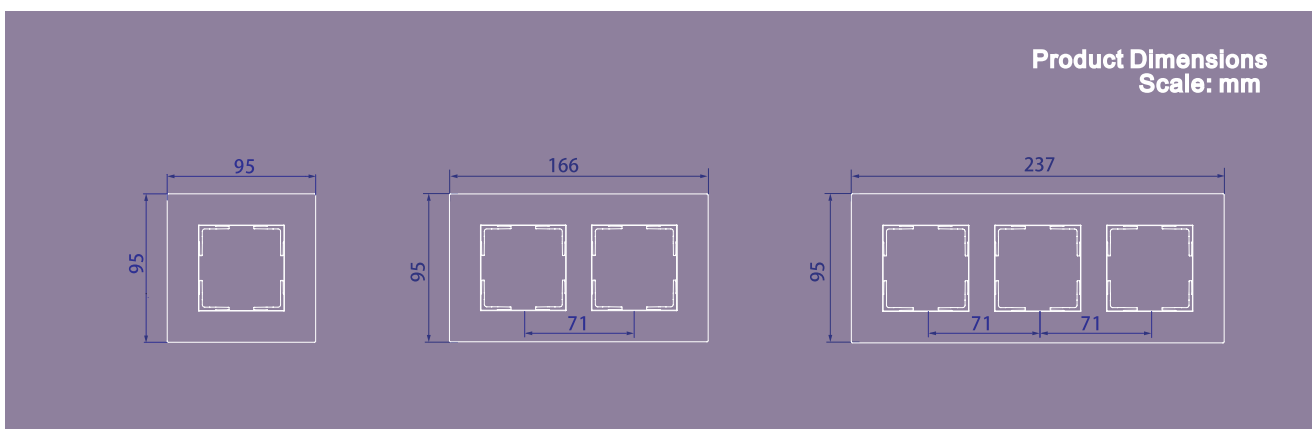
## Material

- Plate : SS
- Bracket : ABS/PC/PBT

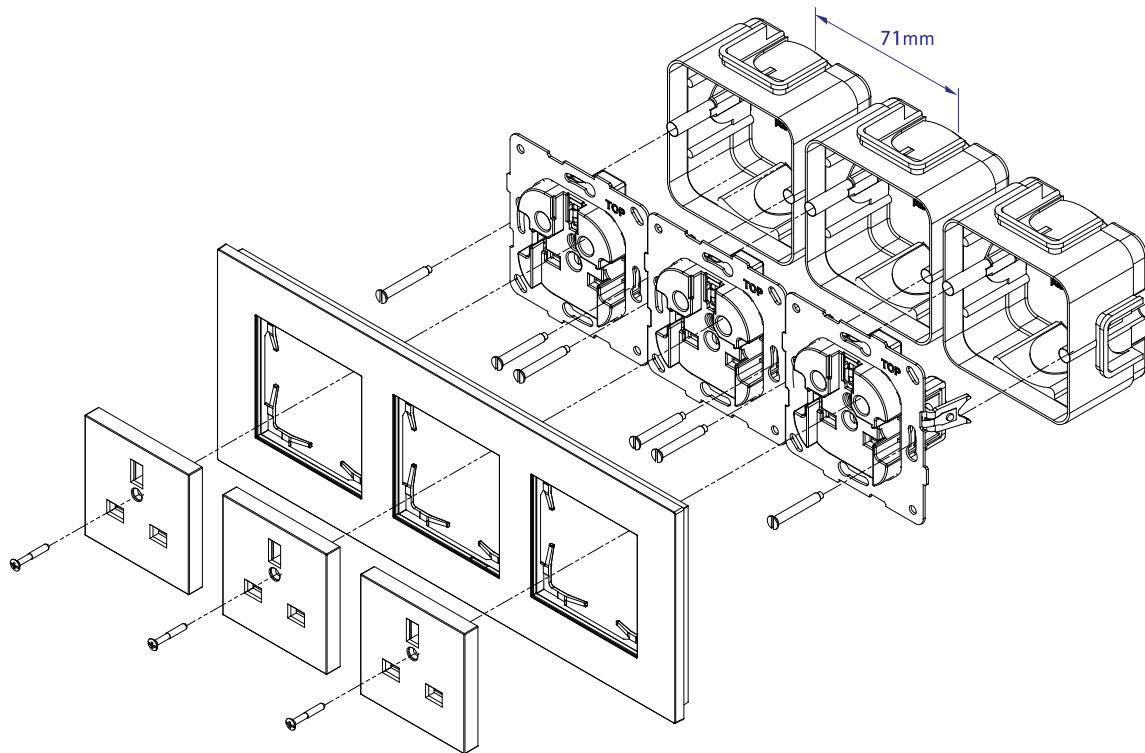
## Colors and Finishes

### Architectural Metal Finishes(faceplate only)

-  Bright Nickel (LBN)
-  Satin Chrome (LSC)
-  Satin Nickel (LSN)
-  Bright brass (LBB)
-  Bright Chrome (LBC)
-  Satin Brass (LSB)



## ► Mounting Diagrams



## Product Code Table

Lavina	Coding Rules of Jb1603
--------	------------------------

