

## Data Specification











- Product Code: JC2-V-W
- Description:
- Range: Lavina
- Ratings(Current/Voltage/Frequency): N/A
- Applicable standards: N/A
- Operating temperature: N/A
- Allowable wire gauge in terminal: N/A
- Product dimensions: 74.1\*74.1mm

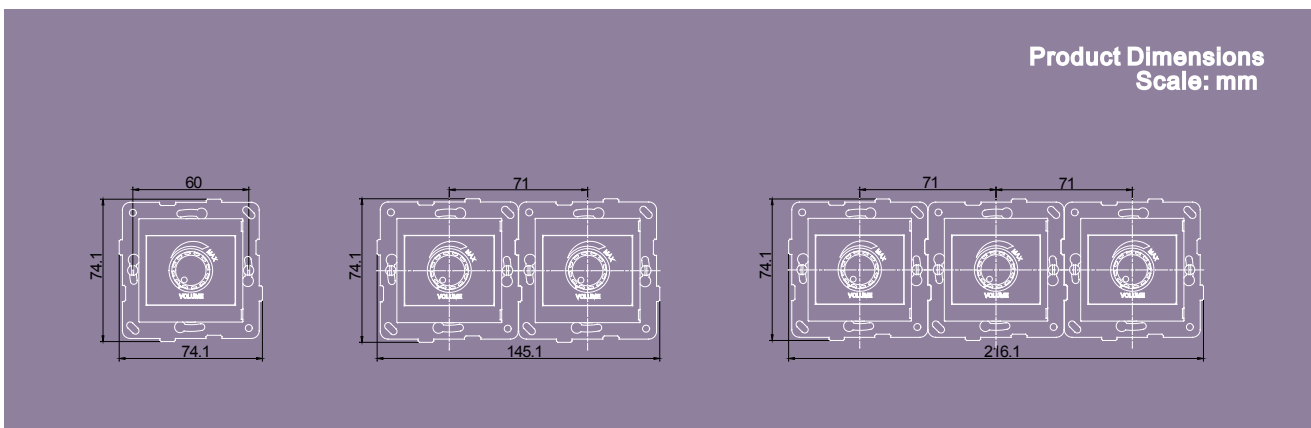
## Mounting Specification

- Distance between mounting holes: 60mm
- Mounting box depth: 40mm

## Colors and Finishes

### Architectural Matte finishes

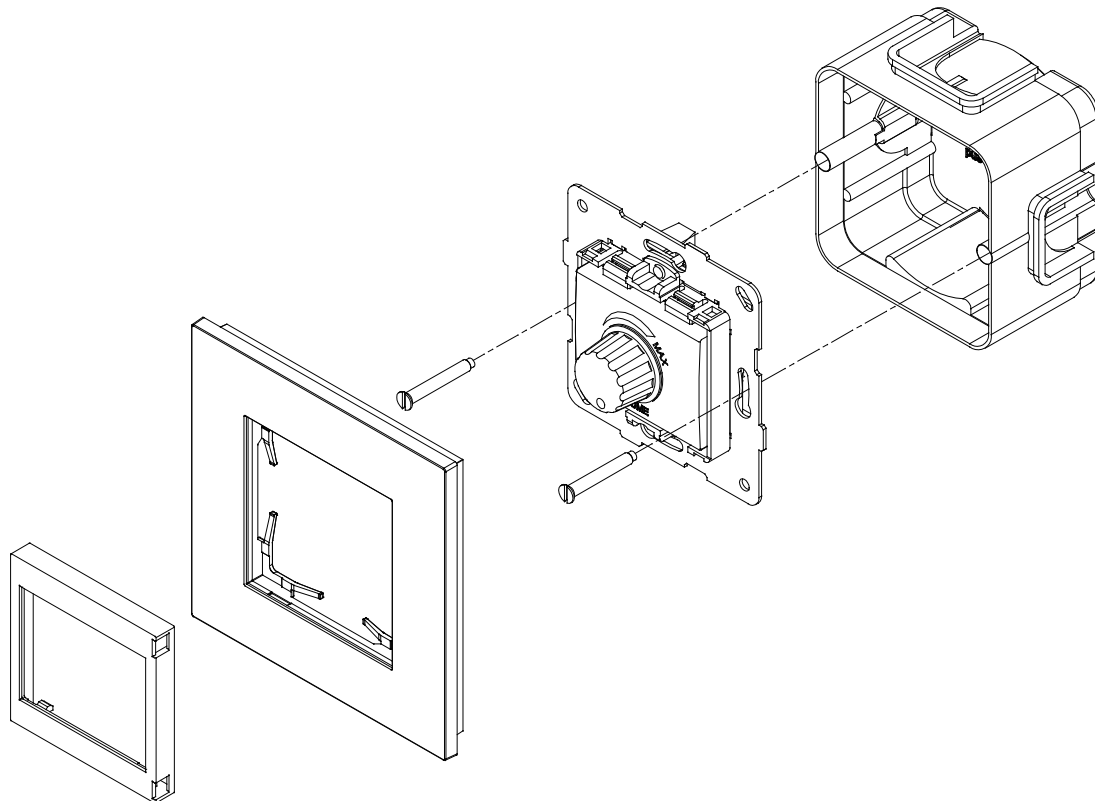
 Almond(LAL)	 Ivory(LIV)
 Beige(LBE)	 Light Almond(LLA)
 Black(LBL)	 Sienna(LSI)
 Brown(LBR)	 Taupe(LTP)
 Gray(LGR)	 White(LWH)



## Product identification instruction:

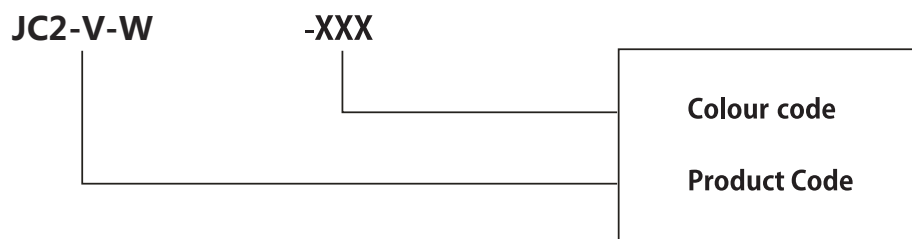
1. -W Finish good without outer frame.
2. -XXX:For the color indication, please refer to "Colors and Finishes"

## ► Mounting Diagrams



## Product Code Table

Lavina	Coding Rules of JC2-V-W
--------	-------------------------



### Product identification instruction:

1. -W: Finish good without outer frame.
2. -XXX: For the color indication, please refer to "Colors and Finishes"