

Data Specification











- Product Code: JC6-2KT-W
- Description: 20A 230V key cavd switch with time delay
- Range: Lavina
- Ratings(Current/Voltage/Frequency): 20A 230V 50/60HZ
- Applicable standards: BS EN60669
- Operating temperature: -10°C~45°C
- Allowable wire gauge in terminal: 4~6mm²
- Product dimensions: 74.1*74.1mm

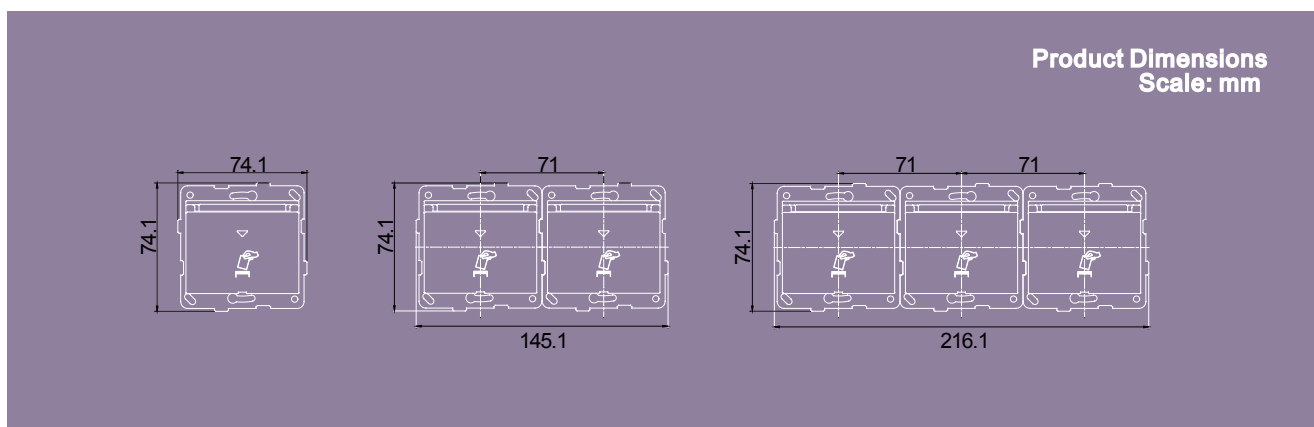
Mounting Specification

- Distance between mounting holes: 60mm
- Mounting box depth: 40mm

Colors and Finishes

Architectural Matte finishes

 Almond(LAL)	 Ivory(LIV)
 Beige(LBE)	 Light Almond(LLA)
 Black(LBL)	 Sienna(LSI)
 Brown(LBR)	 Taupe(LTP)
 Gray(LGR)	 White(LWH)

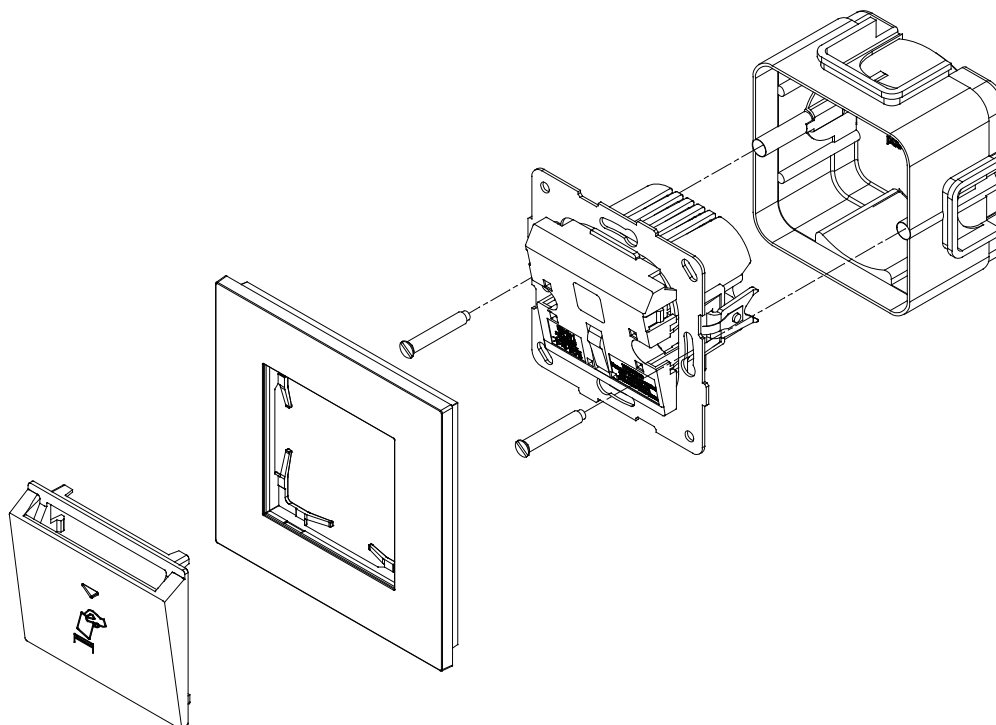


Product identification instruction:

1. -W Finish good without outer frame.
2. -XXX:For the color indication, please refer to "Colors and Finishes"

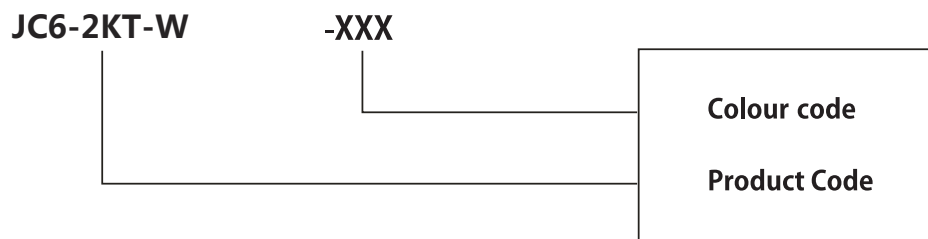
► Mounting Diagrams

20A 230V key cavd switch with time delay



Product Code Table

Lavina	Coding Rules of JC6-2KT-W
--------	---------------------------



Product identification instruction:

1. -W: Finish good without outer frame.
2. -XXX: For the color indication, please refer to "Colors and Finishes"