

Data Specification

- Product Code: JC801TV-W
- Description: 1 Gang TV Socket
- Range: Lavina
- Ratings(Current/Voltage/Frequency):13A 250V 50/60N/A
- Applicable standards: BS 1363-2
- Operating temperature: -5°C+40°C
- Allowable wire gauge in terminal: 1.5-4mm²
- Product dimensions: 74.1*74.1mm

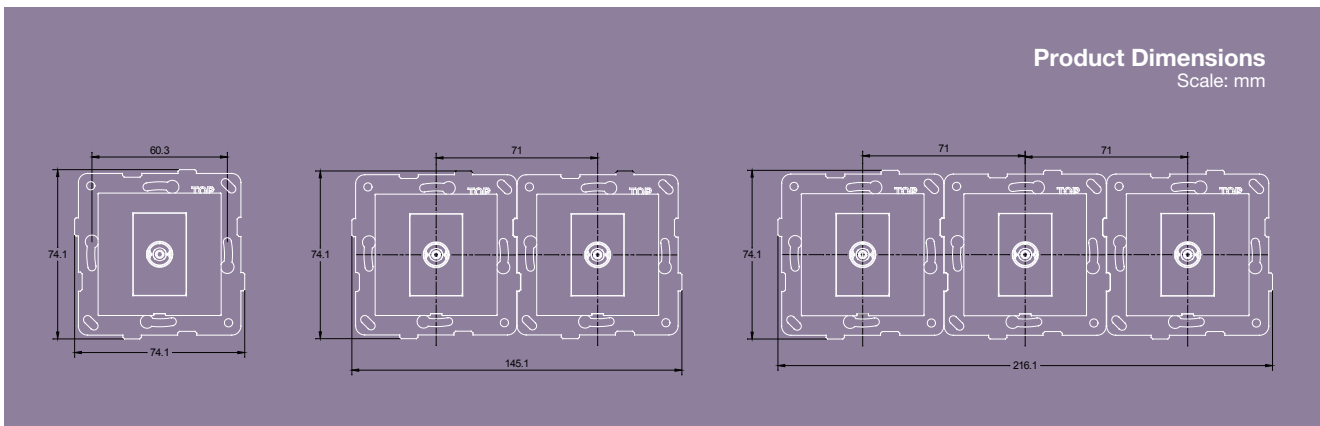
Mounting Specification

- Distance between mounting holes: 60mm
- Mounting box depth: 40mm

Colors and Finishes

Architectural
Matte finishes

 Almond(AL)	 Ivory(IV)
 Beige(BE)	 Light Almond(LA)
 Black(BL)	 Sienna(SI)
 Brown(BR)	 Taupe(TP)
 Gray(GR)	 White(WH)

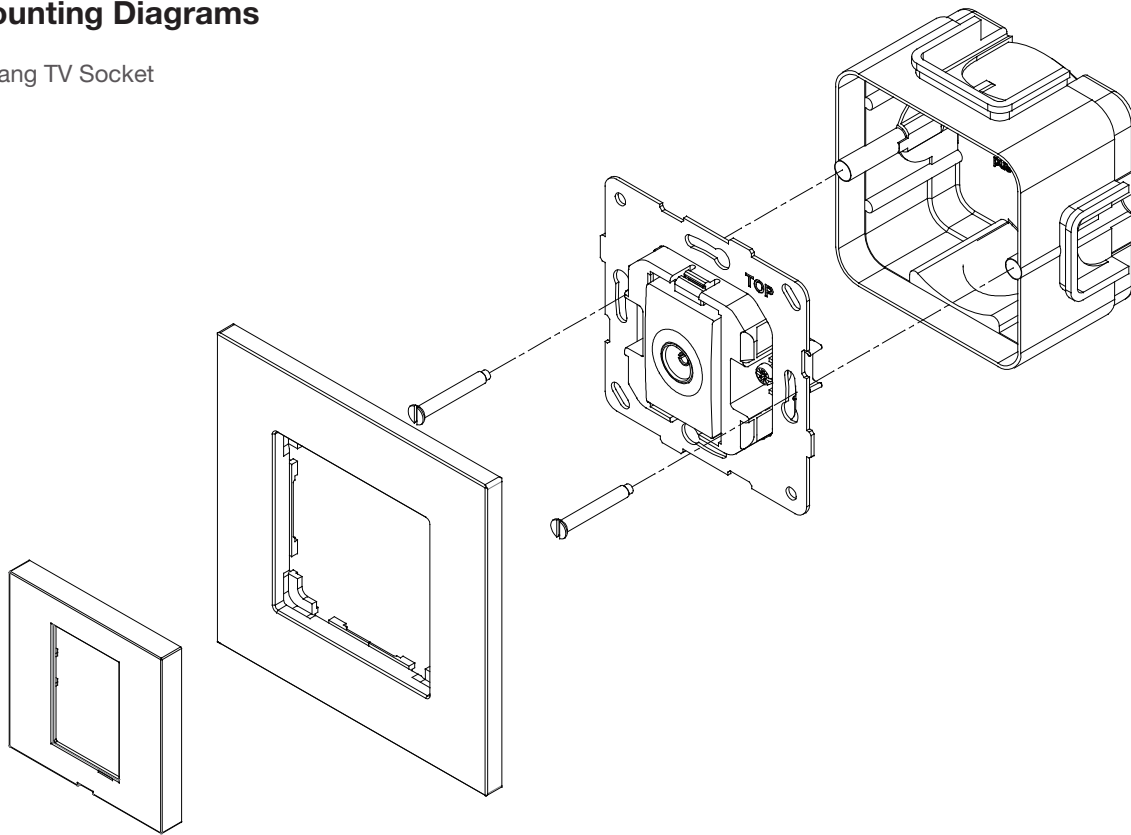


Product identification instruction:

1. -W Finish good without outer frame.
2. -XXX:For the color indication, please refer to "Colors and Finishes"

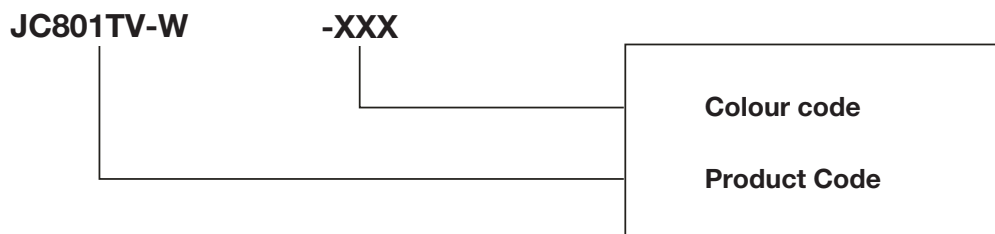
► Mounting Diagrams

1 Gang TV Socket



Product Code Table

Lavina	Coding Rules of JC801TV-W
--------	---------------------------



Product identification instruction:

1. -W Finish good without outer frame.
2. -XXX:For the color indication, please refer to "Colors and Finishes"