

Data Specification

- Product Code: JC811USBA-W
- Description: Single 5V 2A USB Socket
- Range: Lavina
- Rating: Input:100-240V 50/60Hz Max:500mA
Output: 5V 2A with current overload protection between 2.3A and 2.6A
- Applicable standards: BS EN 60950-1/GB 4943.1
- Operating temperature: -5°C-40°C
- Allowable wire gauge in terminal: 0.5-1.5mm²
- Product dimensions: 74.1*74.1mm

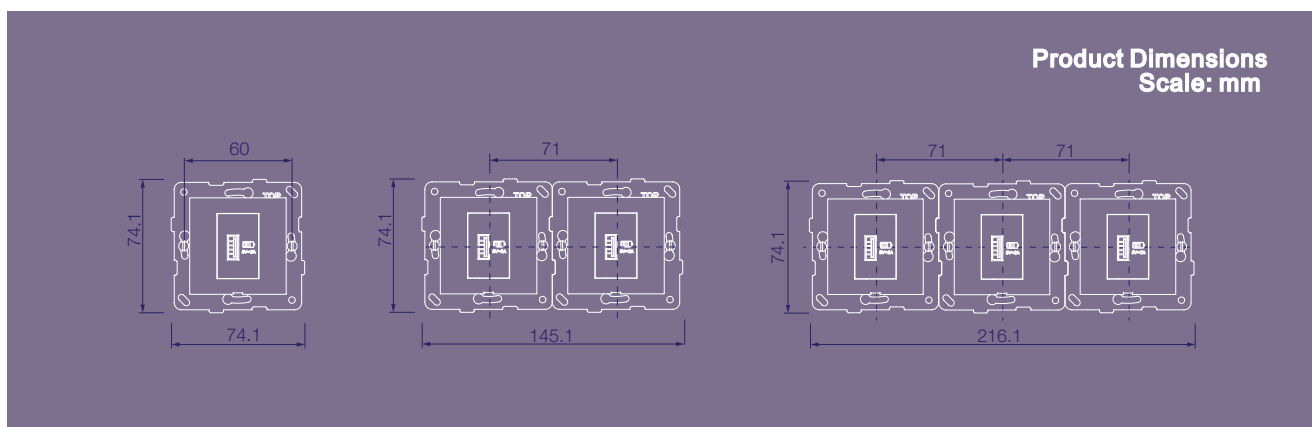
Mounting Specification

- Distance between mounting holes: 60mm
- Mounting box depth: 40mm

Colors and Finishes

Architectural
Matte finishes

 Almond(LAL)	 Ivory(LIV)
 Belge(LBE)	 Light Almond(LLA)
 Black(LBL)	 Slenna(LSI)
 Brown(LBR)	 Taupe(LTP)
 Gray(LGR)	 White(LWH)

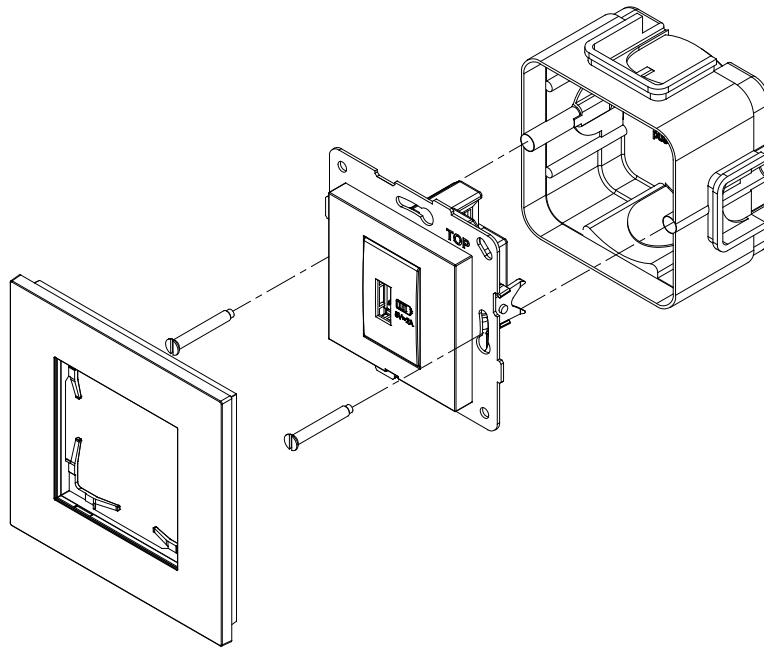


Product identification instruction:

1. -W: nish good without outer frame.
2. -XXX:For the color indication, please refer to "Colors and Finishes"

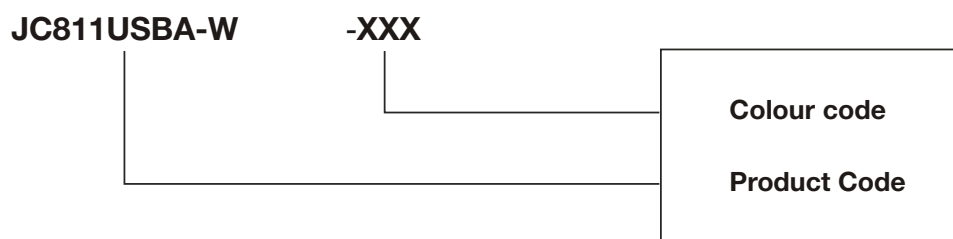
► Mounting Diagrams

Single 5V 2A USB Socket



Product Code Table

Lavina	Coding Rules of JC811USBA-W
--------	-----------------------------



Product identification instruction:

1. -W: nish good without outer frame.
2. -XXX:For the color indication, please refer to "Colors and Finishes"