

Data Specification











- Product Code: JC812USBA-W
- Description: Dual 5V 2A USB Socket
- Range: Lavina
- Ratings: Input:100-240V 50/60Hz Max:500mA
Output:5V 2AX2 with current overload protection between 2.3A and 2.6A
- Applicable standards: BS EN 60950-1/GB 4943.1
- Operating temperature: -5°C-40°C
- Allowable wire gauge in terminal: 0.5-1.5mm²
- Product dimensions: 74.1*74.1mm

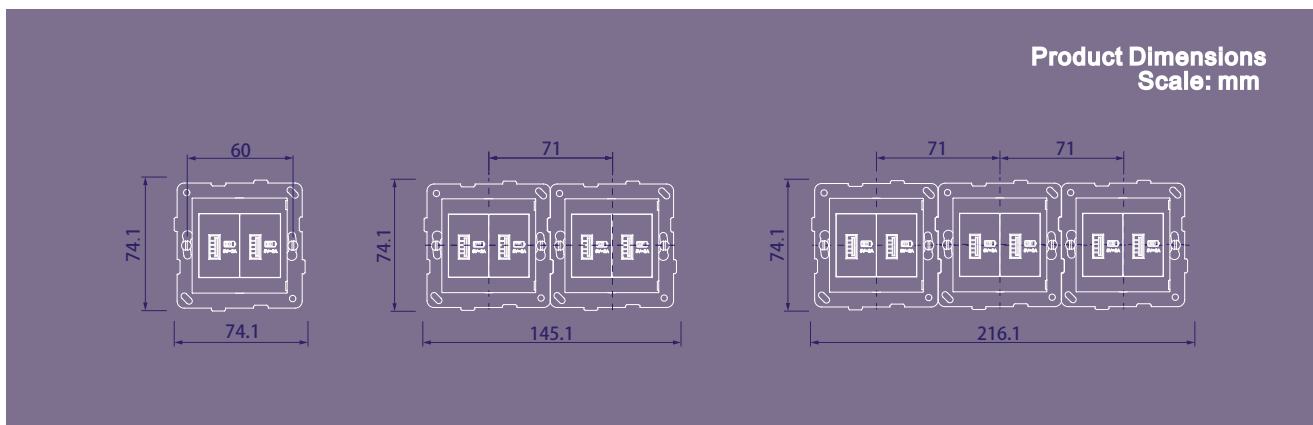
Mounting Specification

- Distance between mounting holes: 60mm
- Mounting box depth: 40mm

Colors and Finishes

Architectural Matte finishes

| | |
|--|---|
|  Almond(LAL) |  Ivory(LIV) |
|  Beige(LBE) |  Light Almond(LLA) |
|  Black(LBL) |  Sienna(LSI) |
|  Brown(LBR) |  Taupe(LTP) |
|  Gray(LGR) |  White(LWH) |

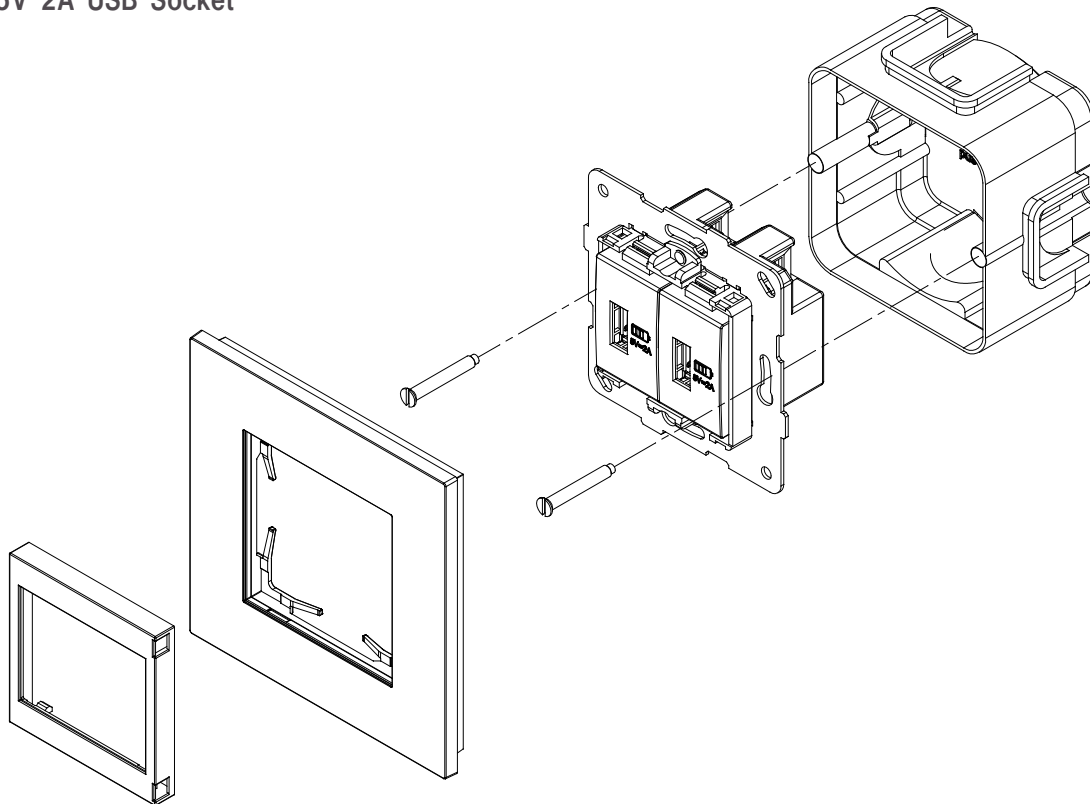


Product identification instruction:

1. -W: nish good without outer frame.
2. -XXX:For the color indication, please refer to "Colors and Finishes"

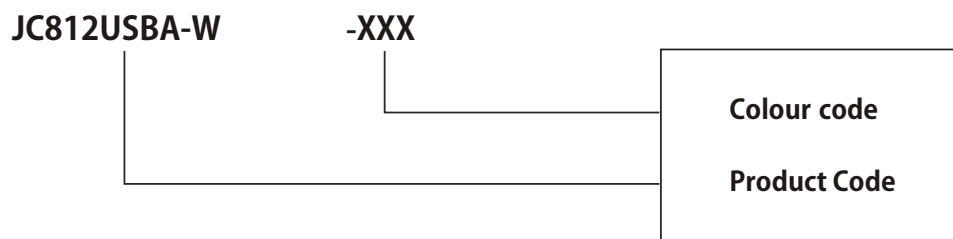
► Mounting Diagrams

Dual 5V 2A USB Socket



Product Code Table

| Platona | Coding Rules of JL812USBA-W |
|---------|-----------------------------|
|---------|-----------------------------|



Product identification instruction:

1. -W: nish good without outer frame.
2. -XXX:For the color indication, please refer to "Colors and Finishes"