

Data Specification

- Product Code: JC816U-W
- Description: 16A Schucko Socket
- Range: Lavina
- Ratings(Current/Voltage/Frequency):16A 250V 50/60Hz
- Applicable standards: DIN VDE0620-1
- Operating temperature: -5°C+40°C
- Allowable wire gauge in terminal: 1.5-4mm²
- Product dimensions: 74.1*74.1mm

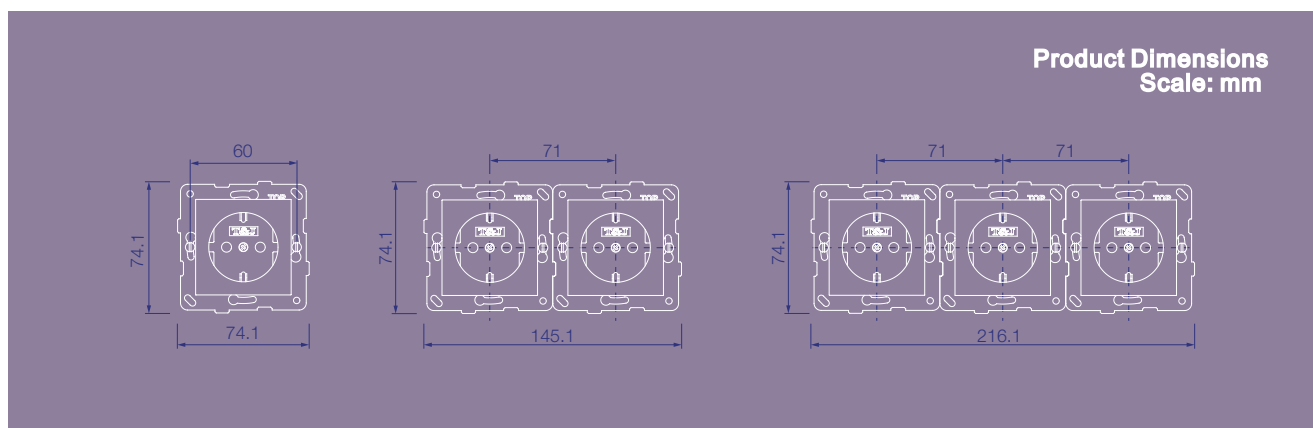
Mounting Specification

- Distance between mounting holes: 60mm
- Mounting box depth: 40mm

Colors and Finishes

Architectural
Matte finishes

 Almond(LAL)	 Lvory(LIV)
 Belge(LBE)	 Light Almond(LLA)
 Black(LBL)	 Slenna(LSI)
 Brown(LBR)	 Taupe(LTP)
 Gray(LGR)	 White(LWH)

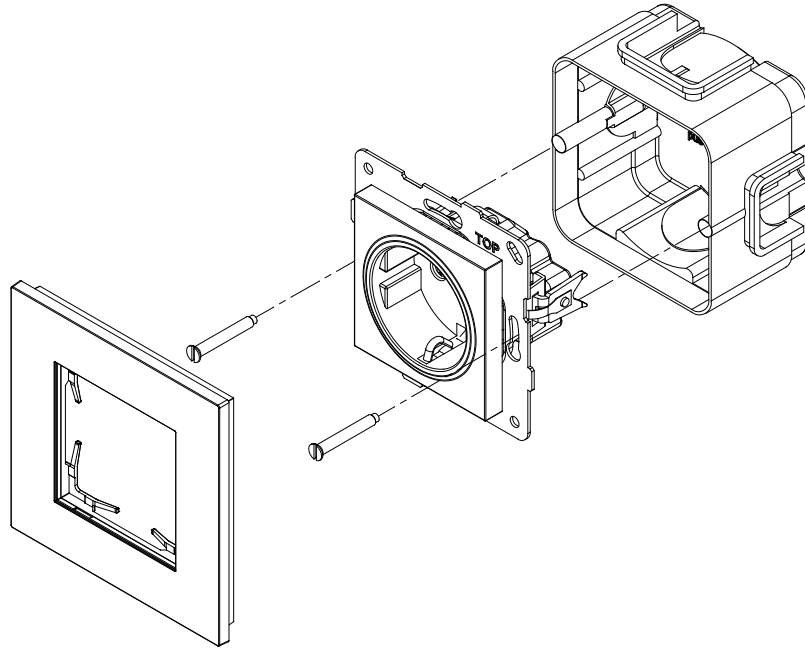


Product identification instruction:

1. -W: nish good without outer frame.
2. -XXX:For the color indication, please refer to "Colors and Finishes"

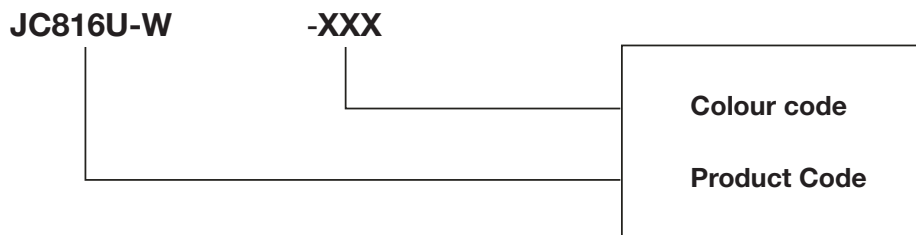
► Mounting Diagrams

16A Schucko Socket



Product Code Table

Lavina	Coding Rules of JC816U-W
--------	--------------------------



Product identification instruction:

1. -W: nish good without outer frame.
2. -XXX: For the color indication, please refer to "Colors and Finishes"