

Data Specification











- Product Code: JC822PC-W
- Description 2 Gang RJ45 Cat. 6 Data Socket
- Range: Lavina
- Ratings(Current/Voltage/Frequency):N/A
- Applicable standards:T568
- Operating temperature: N/A
- Allowable wire gauge in terminal: N/A
- Product dimensions: 74.1*74.1mm

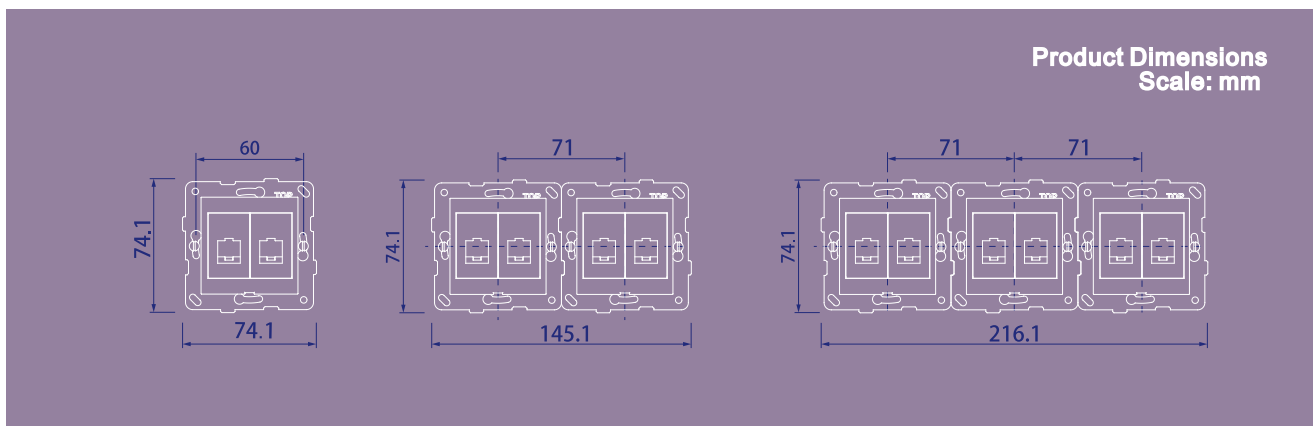
Mounting Specification

- Distance between mounting holes: 60mm
- Mounting box depth: 40mm

Colors and Finishes

Architectural Matte finishes

 Almond(LAL)	 Ivory(LIV)
 Beige(LBE)	 Light Almond(LLA)
 Black(LBL)	 Sienna(LSI)
 Brown(LBR)	 Taupe(LTP)
 Gray(LGR)	 White(LWH)

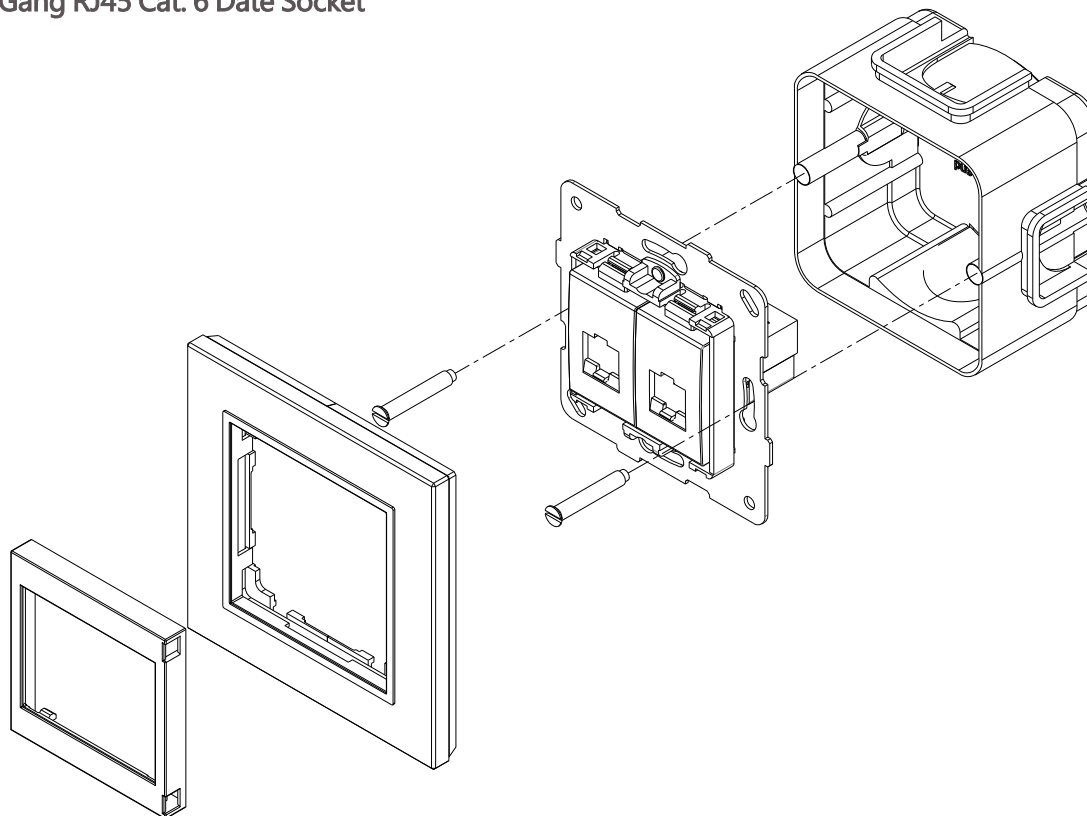


Product identification instruction:

1. -W Finish good without outer frame.
2. -XXX:For the color indication, please refer to "Colors and Finishes"

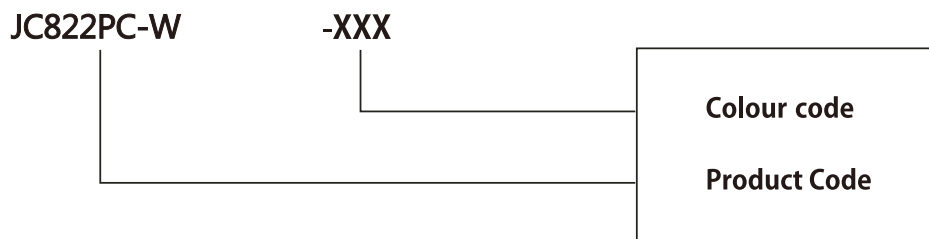
► Mounting Diagrams

2 Gang RJ45 Cat. 6 Data Socket



Product Code Table

Lavina	Coding Rules of JC822PC-W
--------	---------------------------



Product identification instruction:

1. -W: Finish good without outer frame.
2. -XXX: For the color indication, please refer to "Colors and Finishes"