

Data Specification











- Finished Item Code:JC1402
- Description:2 Gang Plastic Frame
- Range:Lavina
- Applicable standards:BS 5733
- Process:Surface painting
- Operating temperature: -5°C+40°C
- Product Dimensions:95*95mm

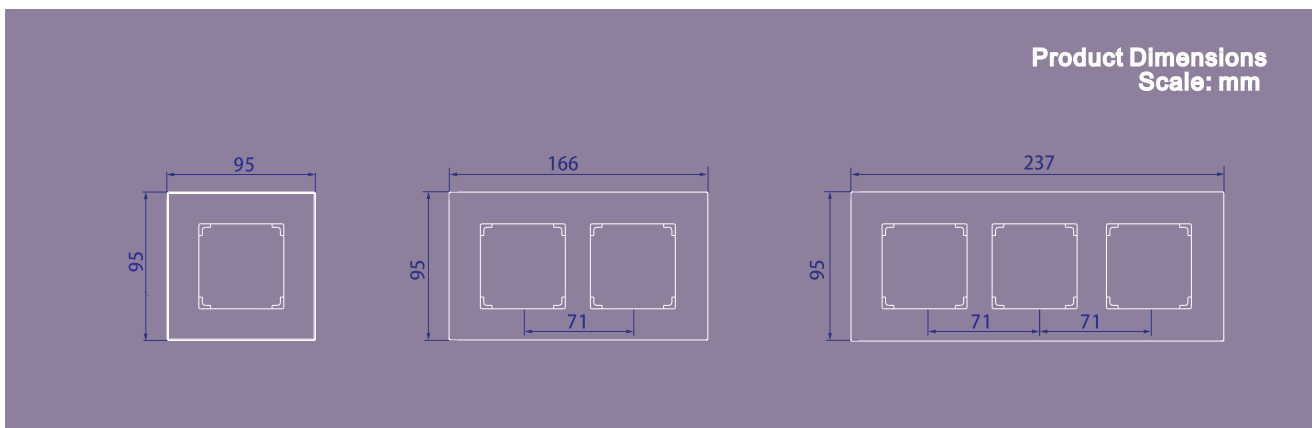
Material

- Plate : PC
- Bracket : PC/PBT

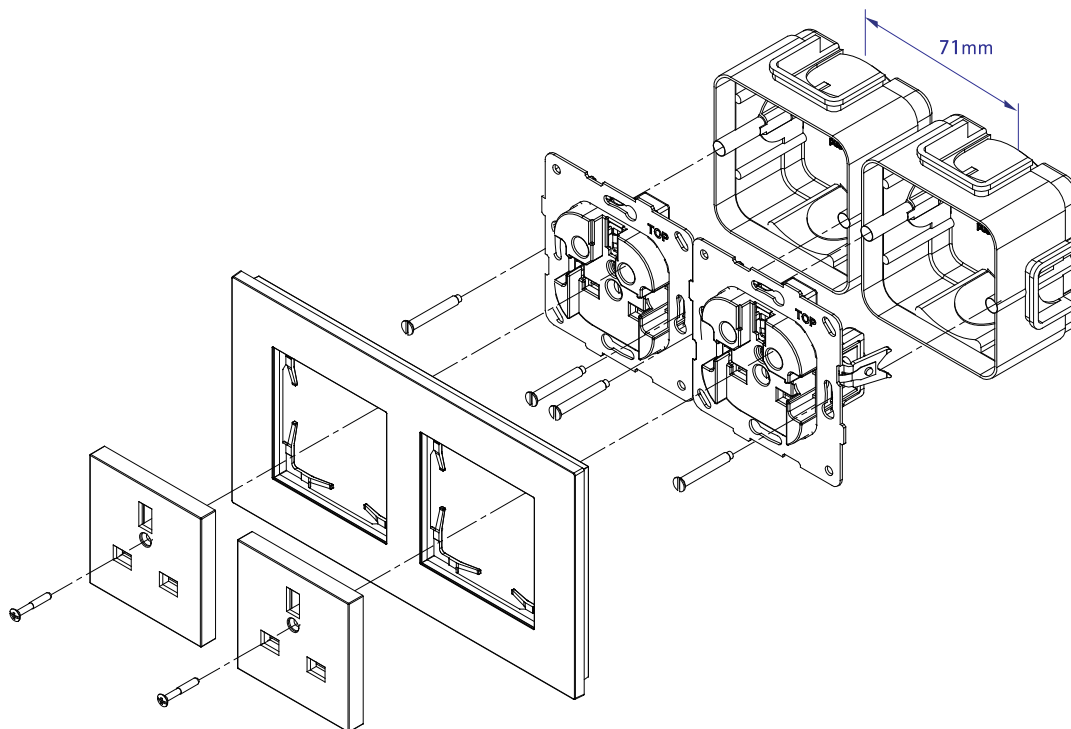
Colors and Finishes

Architectural Matte finishes

 Almond(LAL)	 Ivory(LIV)
 Beige(LBE)	 Light Almond(LLA)
 Black(LBL)	 Sienna(LSI)
 Brown(LBR)	 Taupe(LTP)
 Gray(LGR)	 White(LWH)



► Mounting Diagrams



Product Code Table

Lavina	Coding Rules of Jc1402
--------	------------------------

