

Data Specification

- Finished Item Code: JC1404
- Description: 4 Gang Plastic Frame
- Range: Lavina
- Applicable Standards: BS 5733
- Process: Surface Painting
- Operating Temperature: -5°C+40°C
- Product Dimensions: 95*308mm

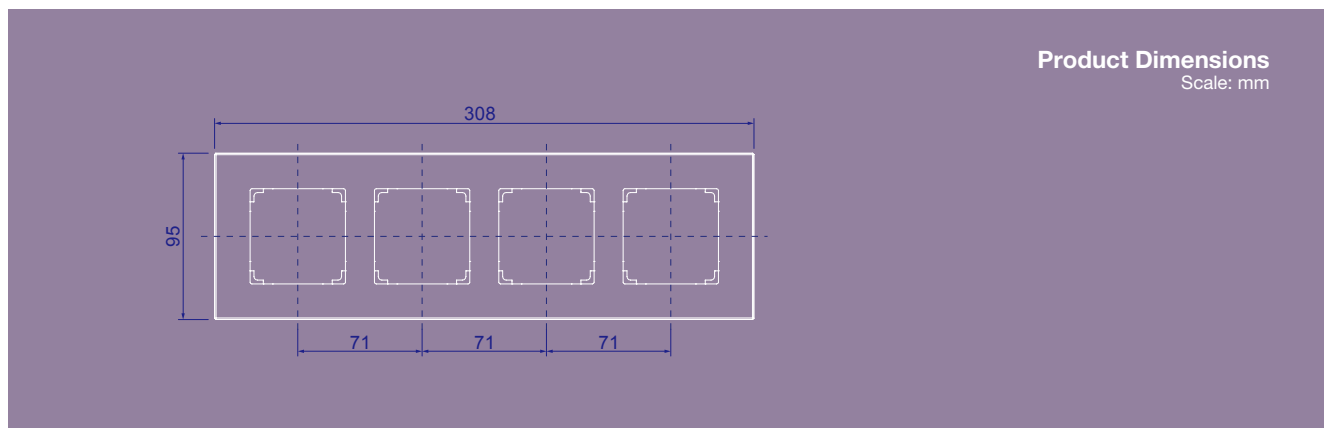
Material

- Plate: PC
- Bracket: ABS/PC/PBT

Colors and Finishes

Architectural Matte Finishes

 Almond(AL)	 Ivory(IV)
 Beige(BE)	 Light Almond(LA)
 Black(BL)	 Sienna(SI)
 Brown(BR)	 Taupe(TP)
 Gray(GR)	 White(WH)

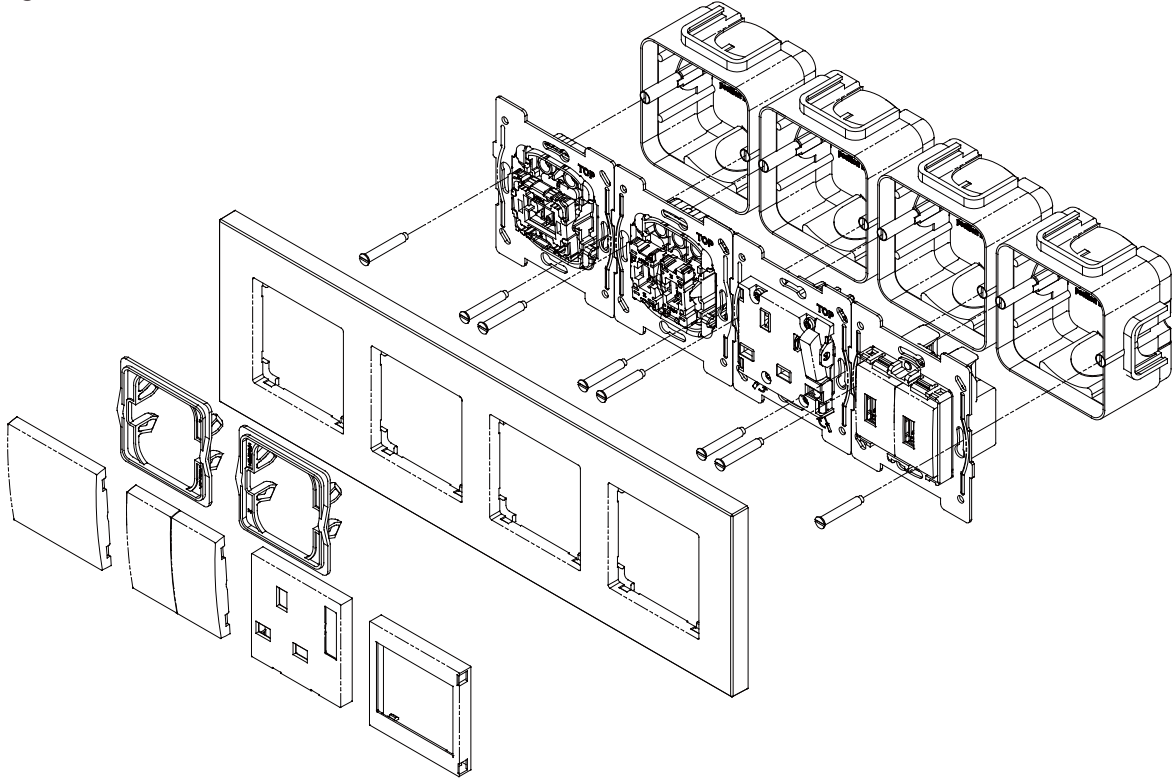


Product identification instruction:

1. -W Finish good without outer frame.
2. -XXX:For the color indication, please refer to "Colors and Finishes"

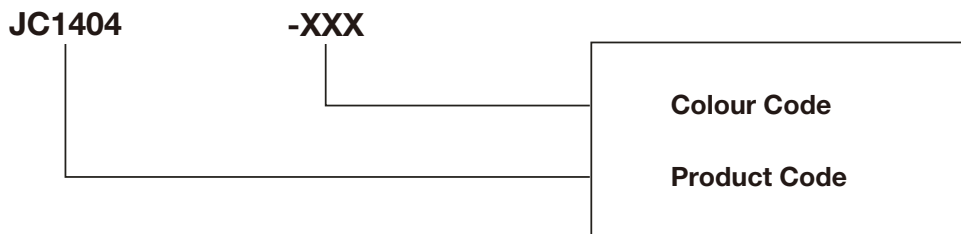
► Mounting Diagrams

4 Gang Plastic Frame



Product Code Table

Lavina	Coding Rules Of JC1404
--------	------------------------



Product identification instruction:

1. -W Finish good without outer frame.
2. -XXX:For the color indication, please refer to "Colors and Finishes"