

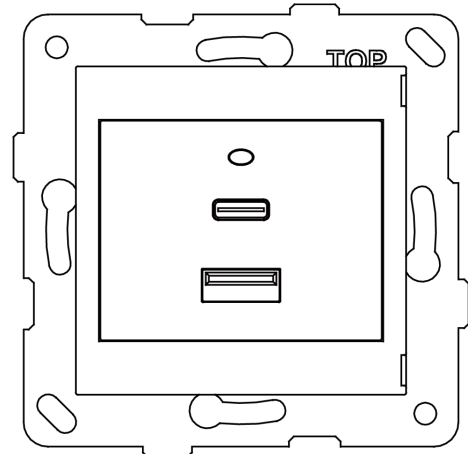
LAVINA “95”

Dual USB charger



Features:

- Made from premium quality polycarbonate and top grade PA66 Nylon. It is fire and heat resistant, durable and shockproof.
- Support quick charge protocol Power Delivery –PD.
- Support quick charger protocol Qualcomm Quick Charge –QC 3.0



JC8102LUSB-W

Data Specification

Input rated voltage: 100 - 240VAC
50/60Hz

Input rated current: 0.6A max

Output rated voltage & current: 5V, 3.A

PD/QC: 5V, 2.5A

9V, 2A

12V, 1.5A

Maximum wattage: 18w

Mounting Specification

Fix Center: 60 mm

Fix Screw: M3.5 x 0.6 mm

Mounting box: 35mm depth or higher

- J1040, flush mounting, plastic
- M1050, flush mounting, metal

Instruction for Use

USB Type-C port support PD and QC

USB Type-A port support QC only.

When both port are in use, the charger output is 5V, 2.1A

LED status indicator:

- When charger is powered on and without load, the LED is in dim Green.
- When only USB-A in use, 5V (dim Green), 9V (medium Green), 12V (bright Green).
- When only USB Type-C in use, 5V (dim Cyan), 9V (medium Blue), 12V (bright Blue).
- When both ports are in use: 5V (dim Cyan).
- Depending on the colour and brightness of the LED indicator, user can determine the charging status: dim Green or Cyan for 5V normal charging, bright Green and Blue for quick charge.

Product Code

Description	Product Code
USB-A + USB-C charger with indicator	JC8102LUSB-W
Dual USB-A charger with indicator	JC8332LUSB-W

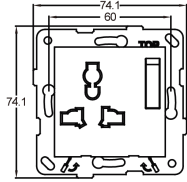
LAVINA “95”

Dual USB charger



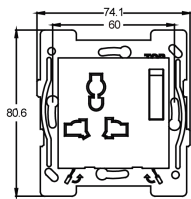
Bracket

Standard bracket (74.1 x 74.1 mm)



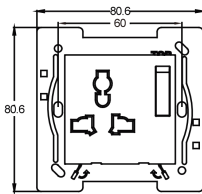
- Used for single and joint gang (horizontal or vertical).
- Recommended VDE mounting box.

Non-standard bracket A (74.1 x 80.6mm)

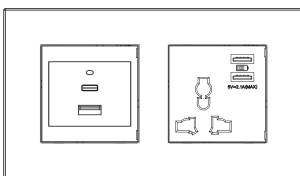


- Used for single and joint gang (horizontal).
- Recommended VDE mounting box.

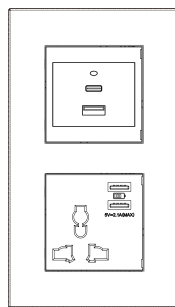
Non-standard bracket B (80.6 x 80.6mm)



- Used for single gang.
- Recommended British Standard single mounting box.



Horizontal



Vertical

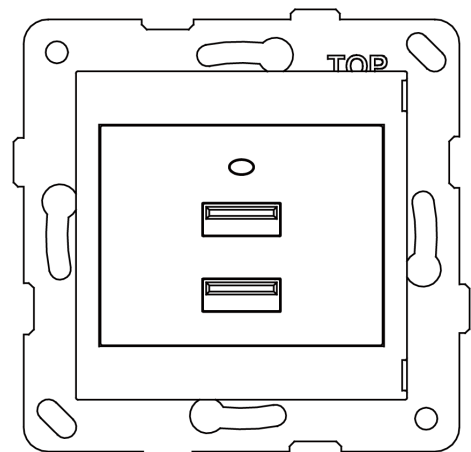
Colours and Finishes

Standard

Code	Colour/Texture
LWH	White
LBL	Black
LGR	Grey

Non-standard

Code	Colour/Texture
LAL	Almond
LLA	Light Almond
LIV	Ivory
LBR	Brown
LBE	Beige
LTP	Taupe
LSI	Sienna



JC8332LUSB-W

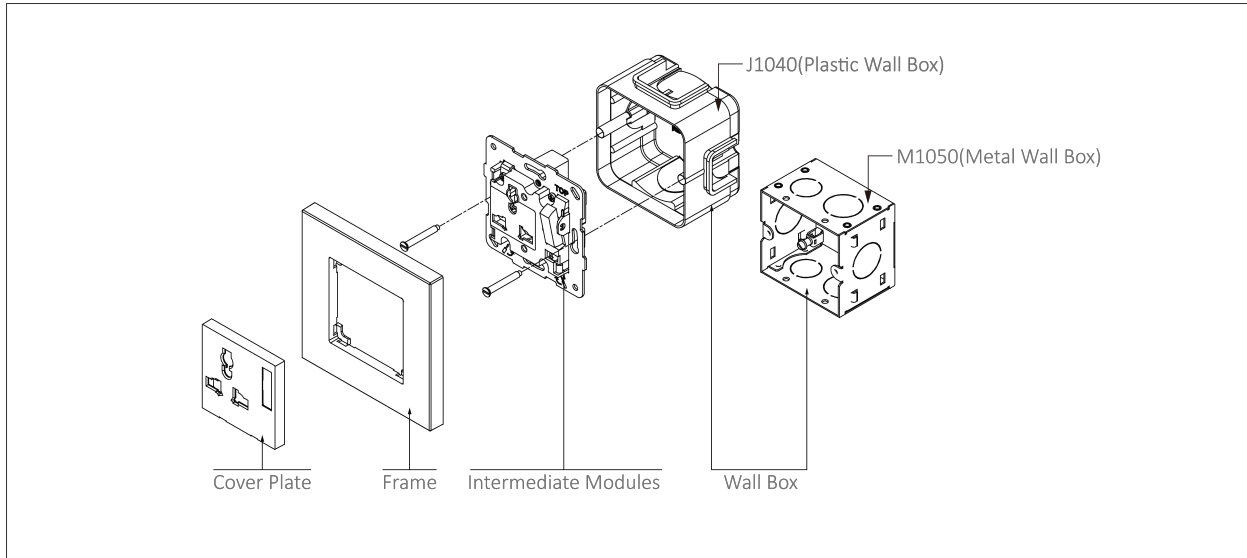
LAVINA "95"

Dual USB charger



Mounting Diagram

Single gang



Multi gang

