

Product Code	Description
W6-2KT	20A 100-240VAC Keycard Switch with Time-Off Delay



W6-2KT-PS

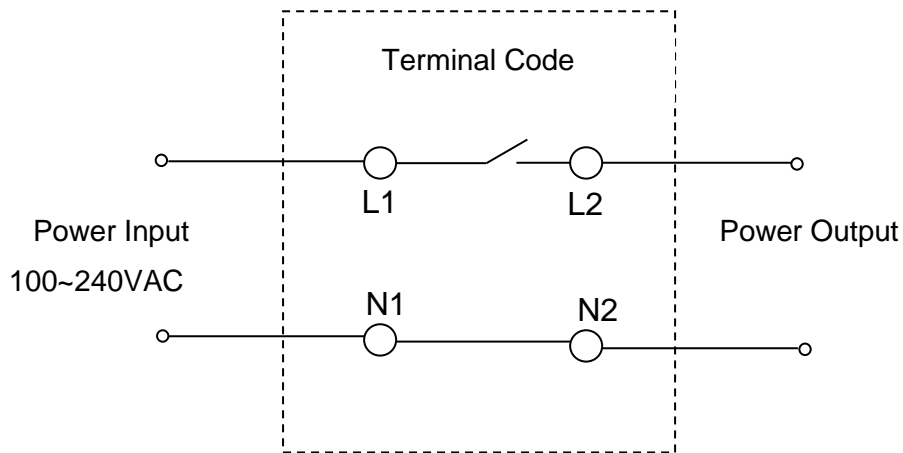


Product back view

Technical Specification






- Rated supply voltage: 100-240VAC
- Output Relay: 20A
- Recommended wire size:
4mm² - 6mm²
- Off-delay time: 35±10 sec
- Card detection type:
Mechanical (micro-switch)
- Dimensions:
115 x 72 x 8mm (WxHxD)
- Fix Center: 83.3mm
- Fix Screw: 6# (32) x 20±
- Mounting box: >35mm depth
 - W111, flush mounting, plastic
(101x67x50mm) (WxHxD)
- Comply to standards:
IEC60669-1
GB16915

Wiring Diagram:



Application Note:

1. Wire up the Keycard Switch as shown in the wiring diagram, ensure that the connections are properly tightened, use ferrule on wire if the wire size is not within the recommended.
2. After installation, power up the Keycard switch, after a short warm-up time, the output is on, after a delay of ~30 seconds, the output is cut off, the unit now enters a standby mode.
3. To activate the output, user slots in the card. To cut off the output (power), pull out the card. After a delay of ~30 seconds, output (power) will be automatically cut off.

Product Code	Colour
W6-2KT	 White
W6-2KT-SBL	 Matt Black (SBL)
W6-2KT-ST	 Charcoal Black (ST)
W6-2KT-MSB	 Matt Silver Black (MSB)
W6-2KT-MSL	 Matt Silver (MSL)
<i>For other colours, please contact T&J Sales representative</i>	