

Product Code	Description
GC252-2	10A 2 Gang 2 Way Switch



GC252-2-BFSS



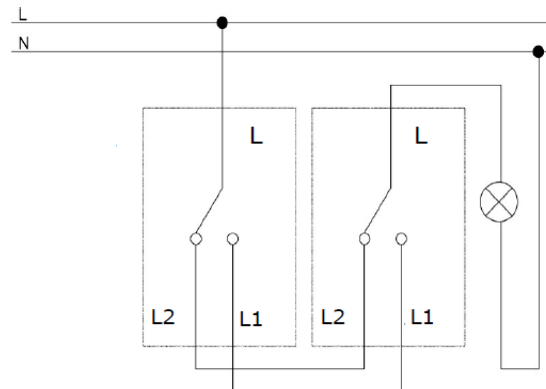
Product back view




## Technical Specification

- Rated Voltage: 250VAC, 50/60Hz
- Rated Current: 10AX
- Recommended wire size:  
1.5mm<sup>2</sup> ~ 2.5mm<sup>2</sup>
- Isolating Gap Contact: 3mm nominal
- Contact Material: Silver-Nickel Alloy
- Operating Temperature:  
-5°C to +40°C
- IP Rating: IP4X
- No. of operations:  
40,000 at 10 Amp
- Dimensions: 86 x 86 x 4mm (WxHxD)
- Fix Center: 60.3mm
- Fix Screws (2x each):  
M3.5 x 0.6 x 25mm±  
M3.5 x 0.6 x 15mm±
- Mounting box: >25mm depth
  - R1150, flush mounting, plastic  
(80 x 80 x 48.4mm) (WxHxD)
  - M1247, flush mounting, metal  
(79 x 73 x 47mm) (WxHxD)
- Comply to standards:  
GB 16915  
IEC 60669-1  
BS EN 60669

**Note:** The metal frame needs to be earthed.

## Typical 2-way switch connection



Product Code	Colour
GC252-2-BFSS	 Black Interior, Stainless Steel, Fingerprint Proof, Satin Nickel
GC252-2-BFMR	 Black Interior, Electroplated with Matt Brass, Fingerprint Proof, Satin Brass
GC252-2-BSBL	 Black Interior, Matt Black
<i>For other colour, please contact T&amp;J Sales representative</i>	