

| Product Code | Description |
|--------------|---------------------------------------|
| W4202QL | 3.3-24 VDC 2-gang smart switch module |

Features:

- Made from premium quality polycarbonate and top grade PA66 Nylon, fire/heat resistant and durable.
- Modular design with different colours and finishes



W4202QL



Product back view

Technical Specification

Switch:

- Rated Voltage: $\leq 24\text{VDC}$
- Rated Current: $< 25\text{mA}$

LED Indicator:

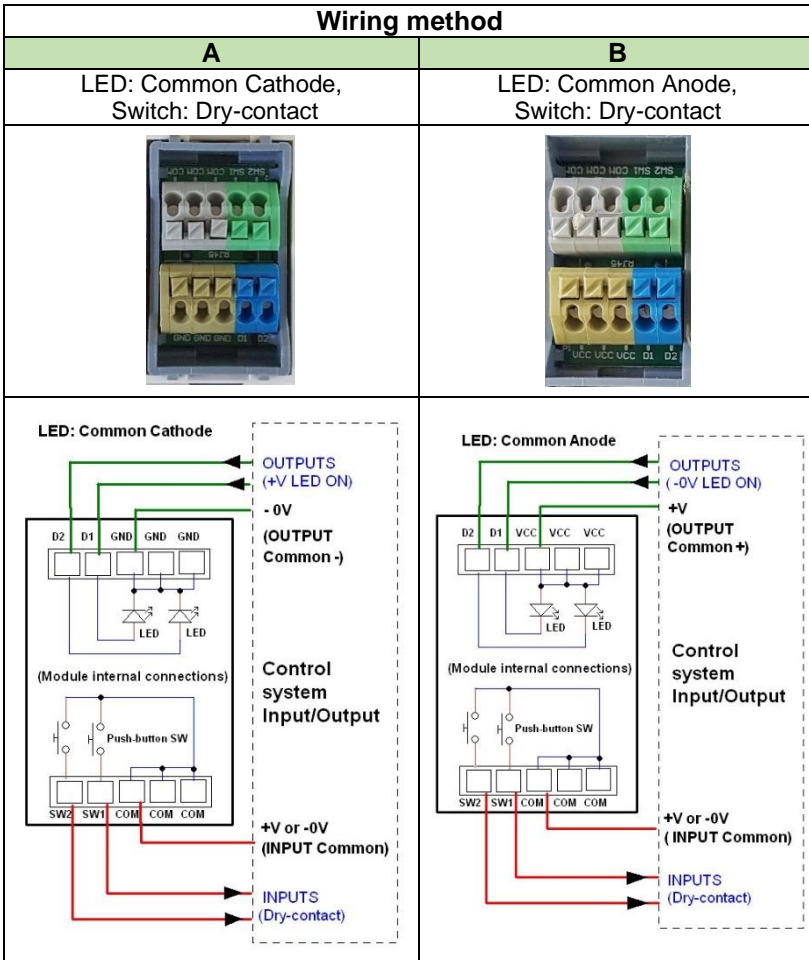
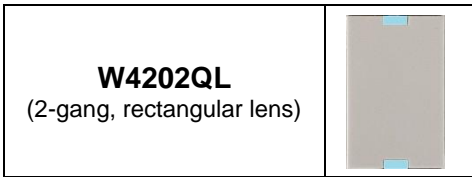
- Voltage: $3.3\text{VDC} - 24\text{VDC}^*$
- Current: $< 5\text{mA}$

- Termination: Push-in type
- Recommended wire-size: $0.25\text{ mm}^2 - 1.5\text{ mm}^2$
- Module dimensions: $\sim 23\text{mm} \times 40\text{mm} \times 22\text{mm}$ (W x H x D)

**Specify when ordering*

Smart Switch order code:





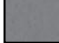
W 4 2 0 2 Q L - **b b b b** - **c c c**



| LED Voltage* | |
|--------------|--------|
| 1 | 3.3VDC |
| 12 | 12VDC |
| 24 | 24VDC |

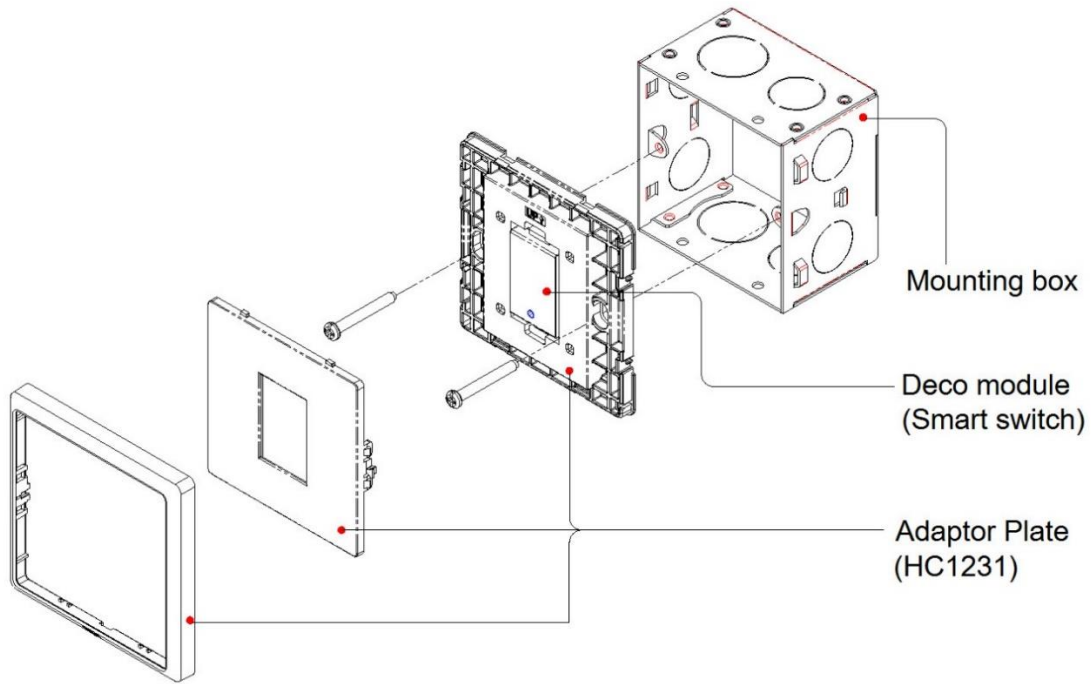
| LED Colour * | |
|--------------|-----------|
| B | Blue |
| G | Green |
| R | Red |
| E | Red/Green |

Note: D1 – LED located at bottom, SW1 – Switch located at bottom

| Product Code | Colour (Rocker)* |
|------------------|---|
| W4202QL-bbbb |  White |
| W4202QL-bbbb-SBL |  Matt Black |
| W4202QL-bbbb-ST |  Charcoal Black |
| W4202QL-bbbb-MSB |  Matt Silver Black |
| W4202QL-bbbb-MSL |  Matt Silver |

*Other LED voltage, LED colour, and rocker colour, please contact T&J Sales representative

Installation Method



| Adapter plate for Deco module | | | | | | | | |
|-------------------------------|--------------|---|---|--|--|-------|---|--|
| Series | Product Code | | 1 gang adapter plate | | 2 gang adapter plate | | 3 gang adapter plate | |
| | deco | W1111 |  | W1112A |  | W1113 |  | |
| infnit | HC1231 |  | HC1232 |  | | | | |
| HARMONY | EA1231 |  | EA1232 |  | | | | |
| minimalist | EB1231 |  | EB1232 |  | | | | |
| radiance | K1231-D |  | K1201-D |  | | | | |
| Titanium | GC1231 |  | GC1221 |  | | | | |
| Ultimate | G1231 |  | G1221 |  | | | | |

Adaptor plate for other series is available, please contact T&J Sales representative