

Product Code	Description
W4211QL	3.3-24 VDC 1-gang smart switch module

Features:

- Made from premium quality polycarbonate and top grade PA66 Nylon, fire/heat resistant and durable.
- Modular design with different colours and finishes



W4211QL



Product back view

Technical Specification

Switch:

- Rated Voltage: $\leq 24\text{VDC}$
- Rated Current: $< 25\text{mA}$

LED Indicator:

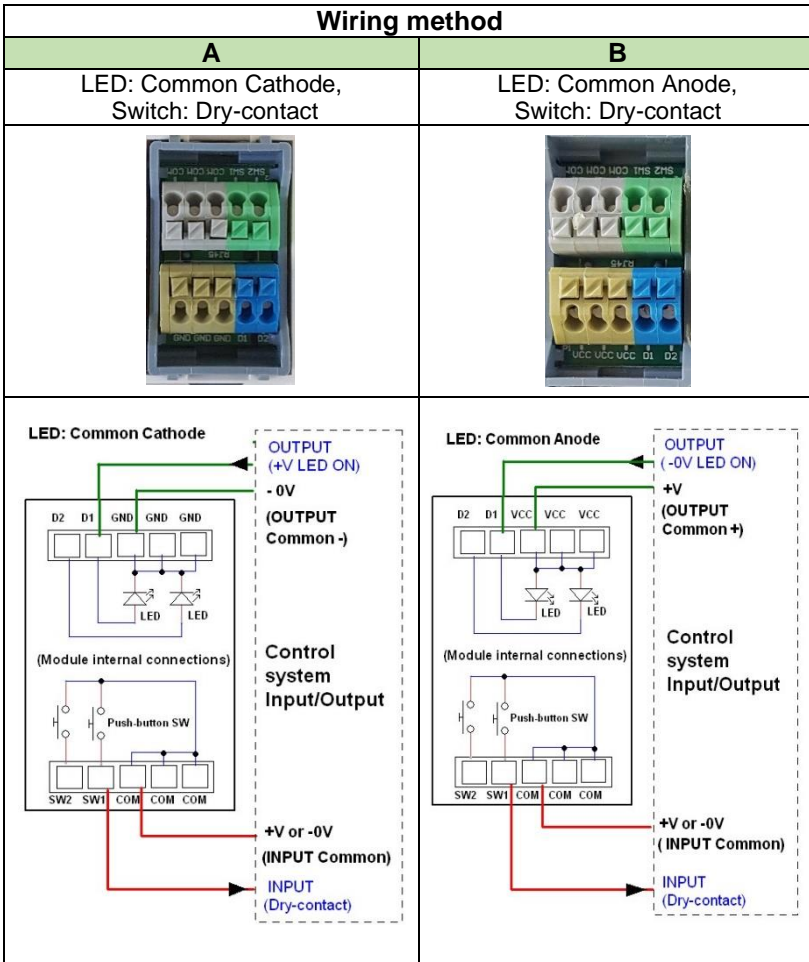
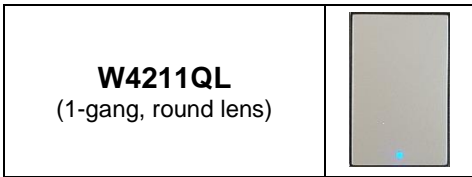
- Voltage: $3.3\text{VDC} - 24\text{VDC}^*$
- Current: $< 5\text{mA}$

- Termination: Push-in type
- Recommended wire-size: $0.25\text{ mm}^2 - 1.5\text{ mm}^2$
- Module dimensions: $\sim 23\text{mm} \times 40\text{mm} \times 22\text{mm}$ (W x H x D)

**Specify when ordering*

Smart Switch order code:

W 4 2 1 1 Q L - b b b b - c c c



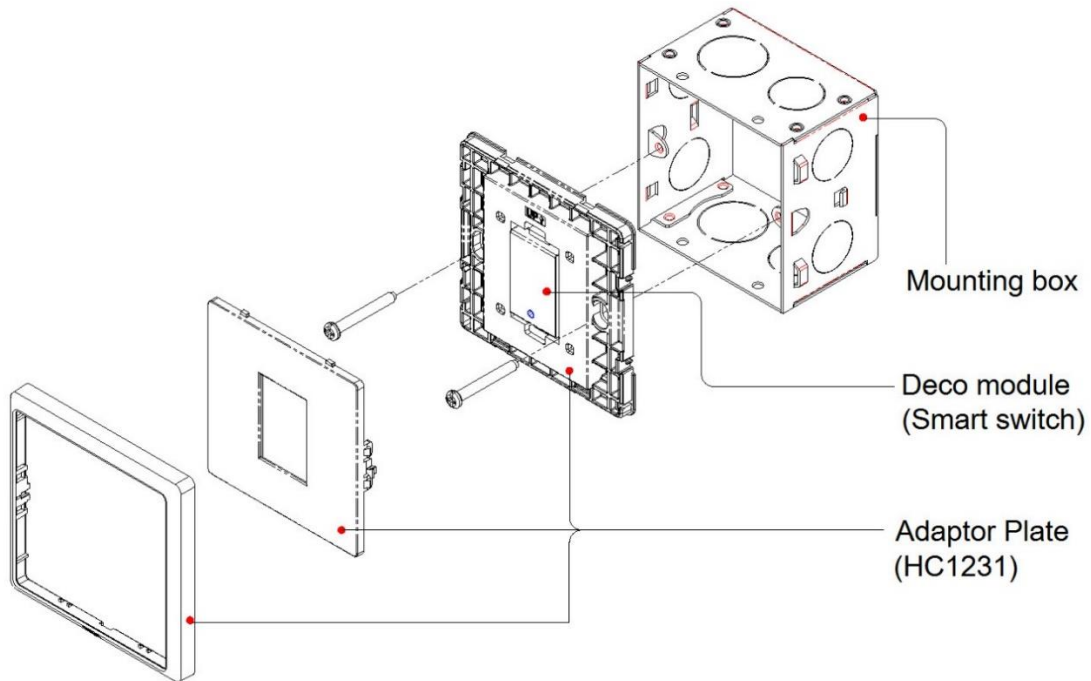
LED Voltage*	
1	3.3VDC
12	12VDC
24	24VDC


LED Colour *	
B	Blue
G	Green
R	Red
E	Red/Green

Product Code	Colour (Rocker)*
W4211QL-bbbb	White
W4211QL-bbbb-SBL	Matt Black
W4211QL-bbbb-ST	Charcoal Black
W4211QL-bbbb-MSB	Matt Silver Black
W4211QL-bbbb-MSL	Matt Silver

*Other LED voltage, LED colour, and rocker colour, please contact T&J Sales representative

Installation Method



Adapter plate for Deco module								
Series	Product Code		1 gang adapter plate		2 gang adapter plate		3 gang adapter plate	
	deco	W1111		W1112A		W1113		
infnit	HC1231		HC1232					
HARMONY	EA1231		EA1232					
minimalist	EB1231		EB1232					
radiance	K1231-D		K1201-D					
Titanium	GC1231		GC1221					
Ultimate	G1231		G1221					

Adaptor plate for other series is available, please contact T&J Sales representative