

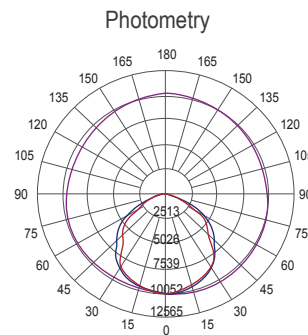
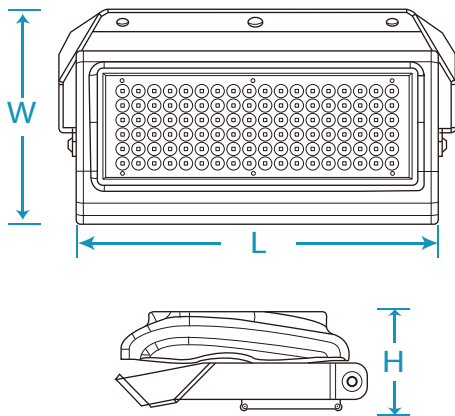


200W



Adjustable

AC Input: 100 ~ 240 Vac
System Power: 200W +/-10W
Number of LEDs: 108pcs (5050 LED)
Luminaire Efficacy Rating (LER): >128 lm/W
Luminous Flux (Initial Lumens): 25,800 lm
Beam Angle: 120°
Colour Rendering Index (CRI): >70
Operating Temperature: -30°C ~ +50°C
Storage Temperature: -30°C ~ +90°C
Lumen Maintenance: LM80
Electrical Safety: Class I
Compliant: Pending CE, IEC, SIRIM
Heatsink material: Aluminum Extrusion
Luminaire Cover Material: Clear Tempered Glass
Weight: 6.0kg
Size (L)x(W)x(H): 404mm x 226mm x 110mm



Features

- Efficient secondary optical lens
- Modular design
- Available in 4 different beam angles
- To replace 400W Metal Halide
- IP66 for all weather
- Suitable for **15m** height applications

Application areas

- Buildings
- Sport halls
- Stadiums
- Area Lightings

Model	Colour Temperature
FLTU-A200-C57-120	Cool White (6000K - 7000K)
FLTU-A200-C30-120	Warm White (2850K - 3250K)

