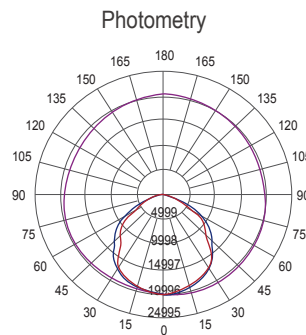
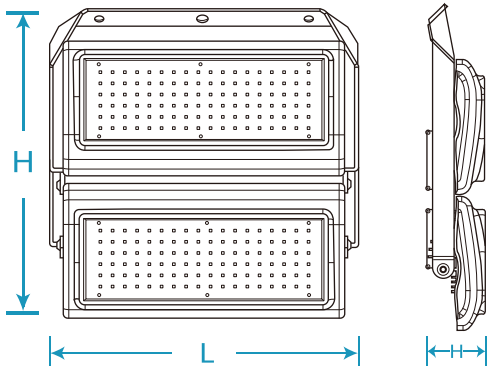




AC Input: 100 ~ 240Vac
System Power: 400W +/-10W
Number of LEDs: 216pcs (5050 LED)
Luminaire Efficacy Rating (LER): >130 lm/W
Luminous Flux (Initial Lumens): 54,430 lm
Beam Angle: 120°
Colour Rendering Index (CRI):>70
Operating Temperature: -30°C ~ +50°C
Storage Temperature: -30°C ~ +90°C
Lumen Maintenance: LM80
Electrical Safety: Class I
Compliant: Pending CE, IEC, CB
Heatsink material: Extruded Aluminium
Luminaire Cover Material: Clear Tempered Glass
Weight: 14.5kg
Size (L)x(W)x(H): 443mm x 448mm x 109mm



Features

- Efficient secondary optical lens
- Modular design
- Available in 4 different beam angles
- To replace 800W Metal Halide
- IP66 for all weather
- Suitable for 25m height applications

Application areas

- Buildings Sport halls Stadiums Area Lightings

Model	Colour Temperature
FLTU-A400-C57-120	Cool White (6000K - 7000K)
FLTU-A400-C30-120	Warm White (2850K - 3250K)

