

# FLT-Ultrion with lens 200W - *Suitable for 15m or 20m height (30 deg or 60 deg)*

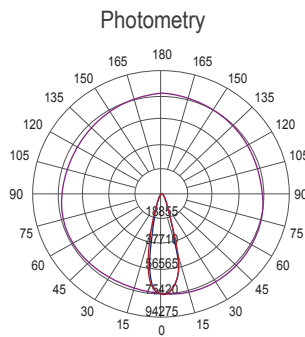
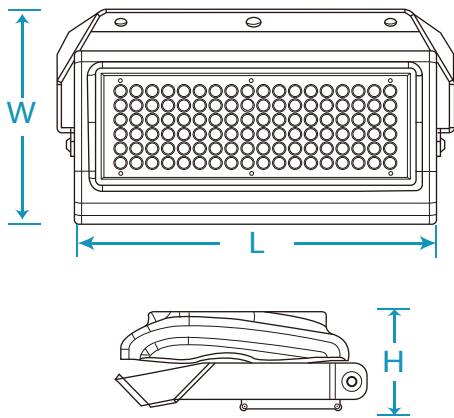


**200W**



Adjustable

**AC Input:** 90 ~ 305Vac  
**System Power:** 200W +/-10W  
**Number of LEDs:** 108pcs (5050 LED)  
**Luminaire Efficacy Rating (LER):** >140 lm/W  
**Luminous Flux (Initial Lumens):** 27,300 lm  
**Beam Angle:** 30°  
**Colour Rendering Index (CRI):**>70  
**Operating Temperature:** -30°C ~ +50°C  
**Storage Temperature:** -30°C ~ +90°C  
**Lumen Maintenance:** LM80  
**Electrical Safety:** Class I  
**Compliant:** Pending CE, IEC, SIRIM  
**Heatsink material:** Extruded Aluminium  
**Luminaire Cover Material:** Clear Tempered Glass  
**Weight:** 6.0kg  
**Size (L)x(W)x(H):** 404mm x 226mm x 110mm



### Features

- Efficient secondary optical lens
- Modular design
- Available in 4 different beam angles
- To replace 400W Metal Halide
- IP66 for all weather
- Suitable for 15m or 20m height applications

### Application areas

- Buildings   Sport halls   Stadiums   Area Lightings

Model	Colour Temperature
FLTU-A200-C57-030	Cool White (6000K - 7000K)
FLTU-A200-C30-030	Warm White (2850K - 3250K)

