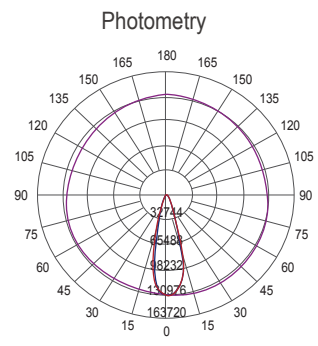
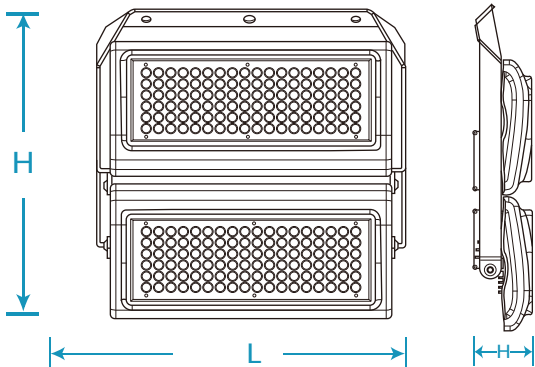


FLT-Ultrason with lens 400W - Suitable 30m height (30 deg)



AC Input: 90 ~ 305Vac
System Power: 400W +/-10W
Number of LEDs: 216pcs (5050 LED)
Luminaire Efficacy Rating (LER): >131 lm/W
Luminous Flux (Initial Lumens): 51,630 lm
Beam Angle: 120°
Colour Rendering Index (CRI): >70
Operating Temperature: -30°C ~ +50°C
Storage Temperature: -30°C ~ +90°C
Lumen Maintenance: LM80
Electrical Safety: Class I
Compliant: Pending CE, IEC, SIRIM
Heatsink material: Extruded Aluminium
Luminaire Cover Material: Clear Tempered Glass
Weight: 14.5kg
Size (L)x(W)x(H): 443mm x 448mm x 109mm



Features

- Efficient secondary optical lens
- Modular design
- Available in 4 different beam angles
- To replace 800W Metal Halide
- IP66 for all weather
- Suitable for 30m height applications

Application areas

-

Model	Colour Temperature
FLTU-A400-C57-030	Cool White (6000K - 7000K)
FLTU-A400-C30-030	Warm White (2850K - 3250K)

