

LED MiniTron with lens 50W - Suitable for 5m height (120 deg)



AC Input: 100 ~ 240Vac
System Power: 50W +/-5W
Correlated Color Temperature: 5700K (available in 3000K, 4000K)
Colour Rendering Index (CRI): >70
Operating Temperature: -20°C ~ +40°C
Storage Temperature: -20°C ~ +80°C
Lumen Maintenance: LM80
Electrical Safety: Class I
Compliant: IEC, SIRIM
Weight: 1.5kg
Heatsink material: Extruded Aluminium
Luminaire Cover Material: Clear Tempered Glass
Size (L)x(W)x(H): 189mmx156mmx77mm

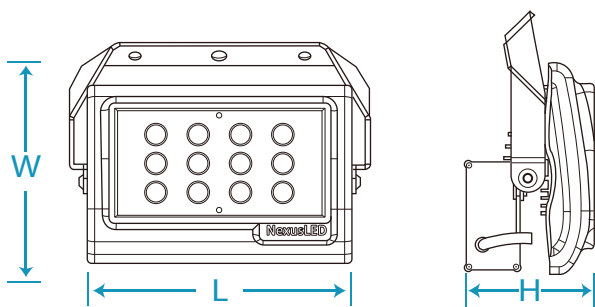
60%
Energy Saving

IP66

50,000
Hours at
25°C

RoHS
Compliance

NO
Mercury or
Toxic gas



Features

- Available in various beam angles
- Suitable for **5m** height applicationsfor

Application areas

Sign board lights

Area Lightings

Compound Lightings

Details	Model	FLT-MT50-C57-30	FLT-MT50-C57-15
Luminaire Efficacy Rating		>110 lm/W	>95 lm/W
Luminous Flux		5,700 lm	4,860 lm
Beam Angle		30°	15°
Photometry			