

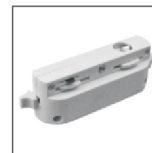
ORITZ LED TRACK LIGHT

Quality aluminum radiator, the optimum thermal path, reducing chip operating temperatures
Stylish, flexible architecture, rich lines for a variety of space

Ortiz
by **IMITOS**



Adaptor Main



2 Line circuit

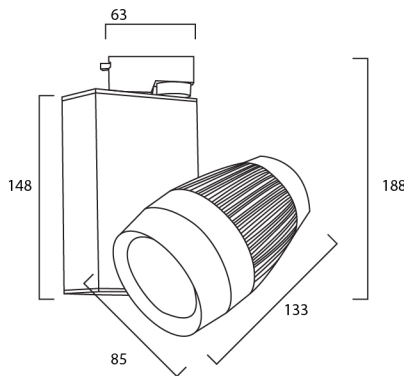
Adaptor optional



3 Line circuit



4 Line circuit



	CRI >95Ra	AC 220-240V 50/60Hz						
--	--------------	---------------------------	--	--	--	--	--	--

TR 01/30W

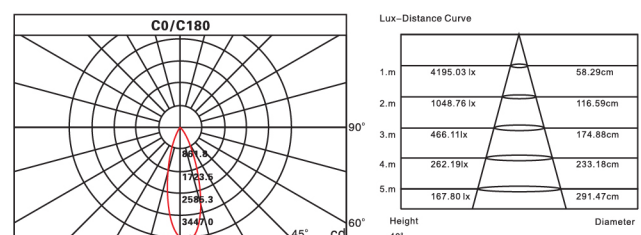
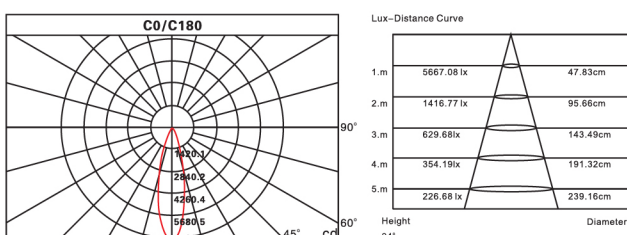
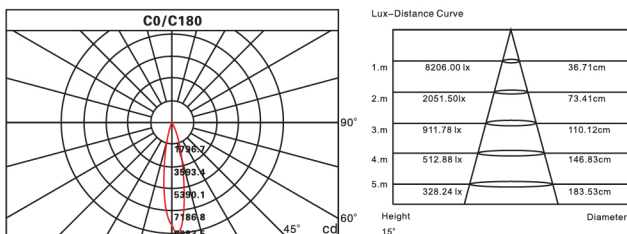
LED TRACK LIGHT

BLACK WHITE

Technical Parameters

- > Power : 30W
- > CCT : 3000K / 4000K / 6000K
- > LED Chip : CREE
- > Power Factor : >0.9
- > Lifetime : 50000h
- > Beam Angle : 15° / 24° / 40°
- > CRI : >95Ra
- > Power Requirement : 220-240V 50/60Hz
- > Lumen : 2000-2200lm
- > Dimmable : No

Photometric Diagram



All contents are for reference only