

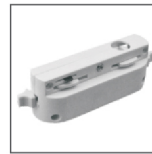
ORITZ LED TRACK LIGHT

Quality aluminum radiator, the optimum thermal path, reducing chip operating temperatures
Stylish, flexible architecture, rich lines for a variety of space

Oritz
by **IMITOS**

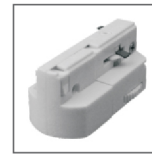


Adaptor Main



2 Line circuit

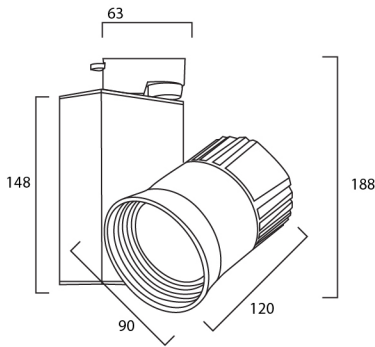
Adaptor optional



3 Line circuit



4 Line circuit



CREE	CRI > 95Ra	AC 220-240V 50/60Hz	15°	24°	40°	3000K	4000K	6000K
-------------	-------------------------	----------------------------------	------------	------------	------------	--------------	--------------	--------------

TR 02/30W

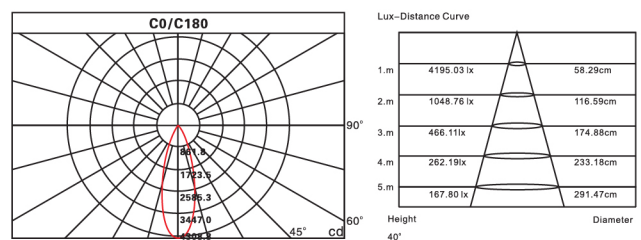
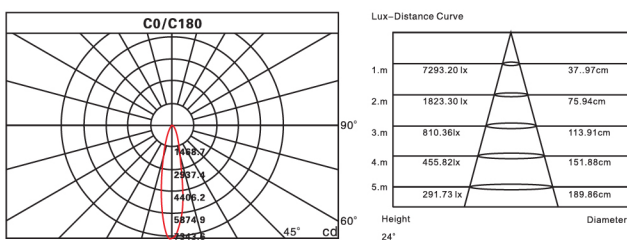
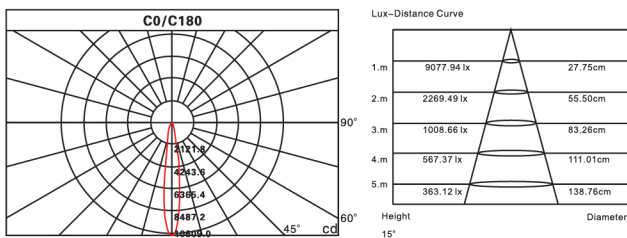
LED TRACK LIGHT

BLACK WHITE

Technical Parameters

- > Power : 30W
- > CCT : 3000K / 4000K / 6000K
- > LED Chip : CREE
- > Power Factor : >0.9
- > Lifetime : 50000h
- > Beam Angle : 15°/ 24°/ 40°
- > CRI : >95Ra
- > Power Requirement : 220-240V 50/60Hz
- > Lumen : 2000-2200lm
- > Dimmable : No

Photometric Diagram



All contents are for reference only