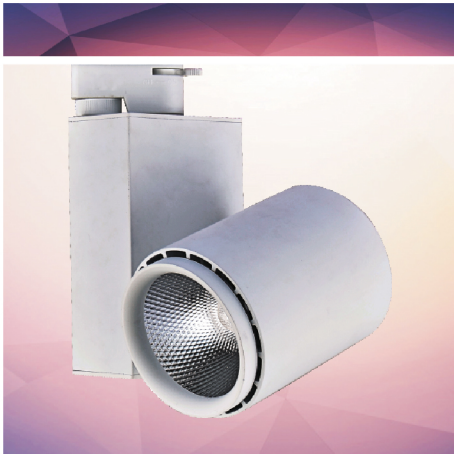


# ORITZ LED TRACK LIGHT

Quality aluminum radiator, the optimum thermal path, reducing chip operating temperatures  
Stylish, flexible architecture, rich lines for a variety of space



Adaptor Main



2 Line circuit

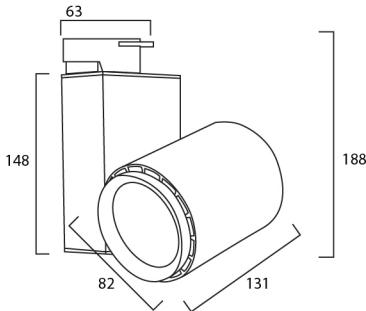
Adaptor optional



3 Line circuit



4 Line circuit



	CRI > 95Ra	AC 220~240V 50/60Hz						
--	---------------	---------------------------	--	--	--	--	--	--

## TR 03/35W

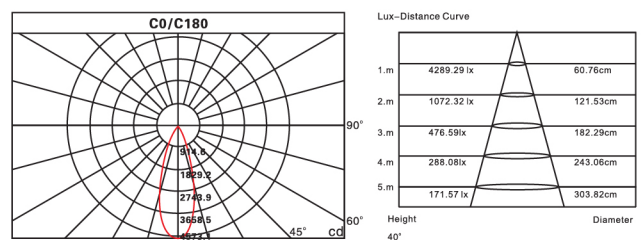
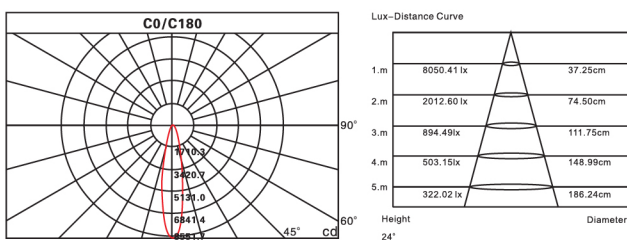
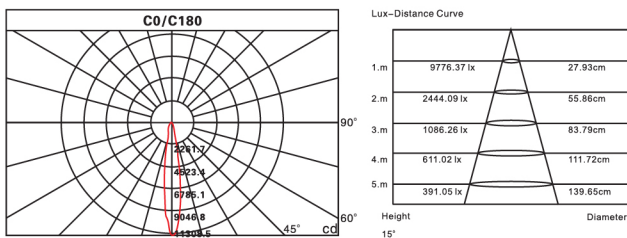
LED TRACK LIGHT

**BLACK WHITE**

### Technical Parameters

- > Power : 35W
- > CCT : 3000K / 4000K / 6000K
- > LED Chip : CREE
- > Power Factor : >0.9
- > Lifetime : 50000h
- > Beam Angle : 15° / 24° / 40°
- > CRI : >95Ra
- > Power Requirement : 220-240V 50/60Hz
- > Lumen : 2400-2600lm
- > Dimmable : No

### Photometric Diagram



\*All contents are for reference only\*