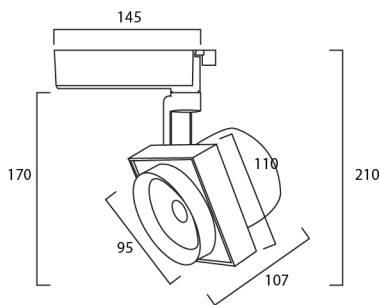


# ORITZ LED TRACK LIGHT

Quality aluminum radiator, the optimum thermal path, reducing chip operating temperatures  
Stylish, flexible architecture, rich lines for a variety of space



	CRI > 95Ra	AC 220-240V 50/60Hz	15°	24°	40°	3000K	4000K	6000K
--	---------------	---------------------------	-----	-----	-----	-------	-------	-------



## TR 04/35W

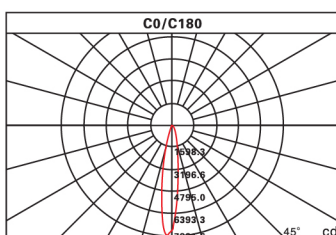
LED TRACK LIGHT

BLACK WHITE

### Technical Parameters

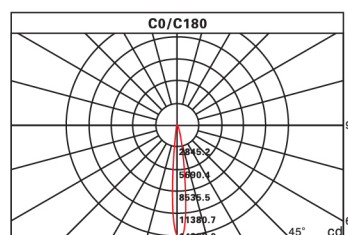
- > Power : 35W
- > CCT : 3000K / 4000K / 6000K
- > LED Chip : CREE
- > Power Factor : >0.9
- > Lifetime : 50000h
- > Beam Angle : 15° / 24° / 40°
- > CRI : >95Ra
- > Power Requirement : 220-240V 50/60Hz
- > Lumen : 2400-2600lm
- > Dimmable : No

### Photometric Diagram



Lux-Distance Curve

Height	15°	Diameter
1.m	13889.02 lx	24.20cm
2.m	3472.25 lx	48.41cm
3.m	1543.22 lx	72.61cm
4.m	868.06 lx	96.81cm
5.m	555.56 lx	121.01cm



Lux-Distance Curve

Height	24°	Diameter
1.m	7266.19 lx	31.32cm
2.m	1816.55 lx	62.64cm
3.m	807.35 lx	93.96cm
4.m	454.14 lx	125.28cm
5.m	290.85 lx	156.60cm

\*All contents are for reference only\*