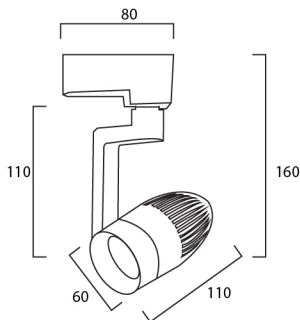


ORITZ LED TRACK LIGHT

Quality aluminum radiator, the optimum thermal path, reducing chip operating temperatures
Stylish, flexible architecture, rich lines for a variety of space



| | | | | | | |
|--|---------------|---------------------------|-----|-------|-------|-------|
| | CRI > 95Ra | AC 220-240V 50/60Hz | 24° | 3000K | 4000K | 6000K |
|--|---------------|---------------------------|-----|-------|-------|-------|

TR 66/ 10W Dimmable

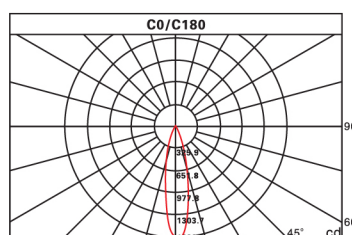
LED TRACK LIGHT

Technical Parameters

BLACK WHITE

- > Power : 10W
- > CCT : 3000K / 4000K / 6000K
- > LED Chip : CREE
- > Power Factor : >0.9
- > Lifetime : 50000h
- > Beam Angle : 24°
- > CRI : >95Ra
- > Power Requirement : 220-240V 50/60Hz
- > Lumen : 1000-1100lm
- > Dimmable : Yes

Photometric Diagram



Lux-Distance Curve

| Height | Lux | Diameter |
|--------|------------|----------|
| 1.m | 1611.55 lx | 41.60cm |
| 2.m | 402.89 lx | 83.20cm |
| 3.m | 179.06 lx | 124.80cm |
| 4.m | 100.72 lx | 166.40cm |
| 5.m | 64.46 lx | 208.00cm |

Height 24° Diameter

All contents are for reference only