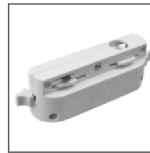


ORITZ LED TRACK LIGHT

Quality aluminum radiator, the optimum thermal path, reducing chip operating temperatures
Stylish, flexible architecture, rich lines for a variety of space

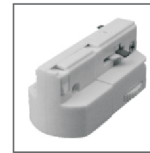


Adaptor Main



2 Line circuit

Adaptor optional



3 Line circuit

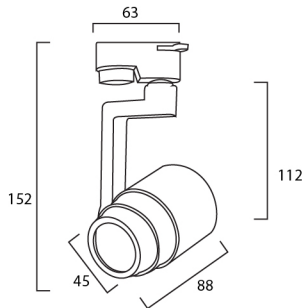


4 Line circuit



CRI
> 95Ra

AC
220-240V
50/60Hz



TR A5/15W

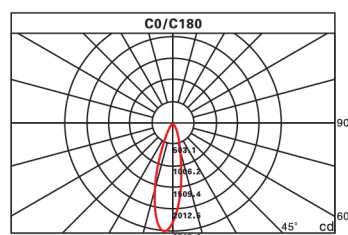
LED TRACK LIGHT

BLACK WHITE

Technical Parameters

- > Power : 15W
- > CCT : 3000K / 4000K / 6000K
- > LED Chip : CREE
- > Power Factor : >0.9
- > Lifetime : 50000h
- > Beam Angle : 24°
- > CRI : >95Ra
- > Power Requirement : 220-240V 50/60Hz
- > Lumen : 1200-1400lm
- > Dimmable : No

Photometric Diagram



Height	Diameter	Lux
1.0m	47.65cm	2279.64 lx
2.0m	95.29cm	569.91 lx
3.0m	142.94cm	253.29 lx
4.0m	190.59cm	142.48 lx
5.0m	238.23cm	91.19 lx

All contents are for reference only