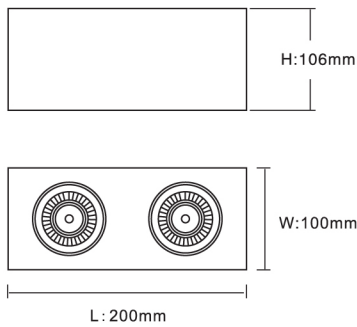


ORITZ LED SURFACE DOWNLIGHT

Quality aluminum radiator, the optimum thermal path, reducing chip operating temperatures
Stylish, flexible architecture, rich lines for a variety of space



ESQ 100/2x15W

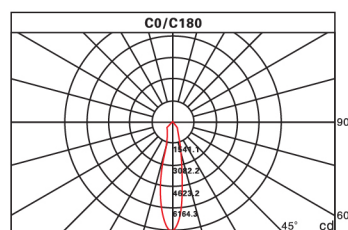
LED SURFACE DOWNLIGHT



Technical Parameters

- > Power : 2x15W
- > CCT : 3000K / 4000K / 6000K
- > LED Chip : CREE
- > Power Factor : >0.9
- > Lifetime : 50000h
- > Beam Angle : 24°
- > CRI : >80Ra
- > Power Requirement : 220-240V 50/60Hz
- > Lumen : 2x1300-1500lm
- > Dimmable : No

Photometric Diagram



Height	Beam Diameter	Beam Diameter
1.m	7285.10 lx	39.24cm
2.m	1821.28 lx	78.48cm
3.m	809.46 lx	117.72cm
4.m	455.32 lx	156.96cm
5.m	291.40 lx	196.19cm

Height
Beam Angle: 24°

All contents are for reference only