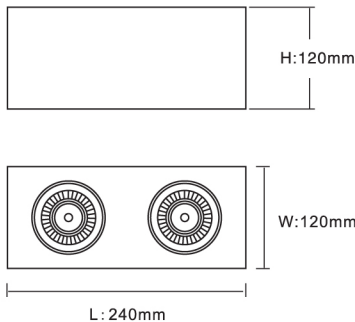


ORITZ LED SURFACE DOWNLIGHT

Quality aluminum radiator, the optimum thermal path, reducing chip operating temperatures
Stylish, flexible architecture, rich lines for a variety of space



ESQ 120/2x20W

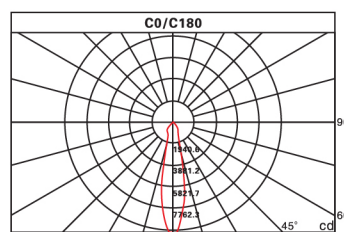
LED SURFACE DOWNLIGHT



Technical Parameters

- > Power : 2x20W
- > CCT : 3000K / 4000K / 6000K
- > LED Chip : CREE
- > Power Factor : >0.9
- > Lifetime : 50000h
- > Beam Angle : 24°
- > CRI : >80Ra
- > Power Requirement : 220-240V 50/60Hz
- > Lumen : 2x1700-1900lm
- > Dimmable : No

Photometric Diagram



Height	Beam Diameter	Lux
1.m	39.96cm	9569.29 lx
2.m	79.93cm	2392.32 lx
3.m	119.89cm	1063.25 lx
4.m	159.86cm	598.08 lx
5.m	199.82cm	382.77 lx

Height
Beam Angle: 24°

All contents are for reference only