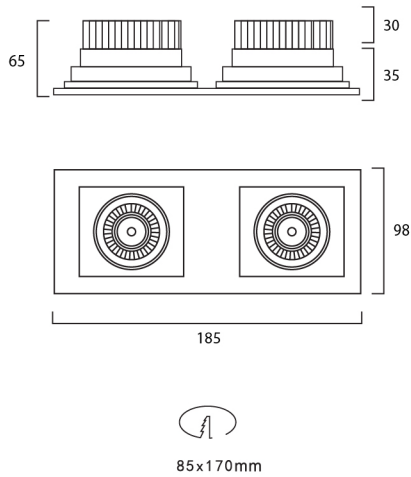


ORITZ LED EYEBALL

Quality aluminum radiator, the optimum thermal path, reducing chip operating temperatures
Stylish, flexible architecture, rich lines for a variety of space



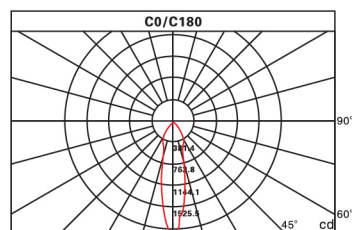
SQ 28/WH/ 2x12W

LED EYEBALL

Technical Parameters

- > Power : 2x12W
- > CCT : 3000K / 4000K / 6000K
- > LED Chip : CREE
- > Power Factor : >0.9
- > Lifetime : 50000h
- > Beam Angle : 24°
- > CRI : >80Ra
- > Power Requirement : 220-240V 50/60Hz
- > Lumen : 2x1100-1200lm
- > Dimmable : No

Photometric Diagram



Lux-Distance Curve

Height	Beam Angle: 24°	Diameter
1.m	1608.19 lx	43.24cm
2.m	402.05 lx	86.48cm
3.m	178.69 lx	129.72cm
4.m	100.51 lx	172.97cm
5.m	64.33 lx	216.21cm

All contents are for reference only