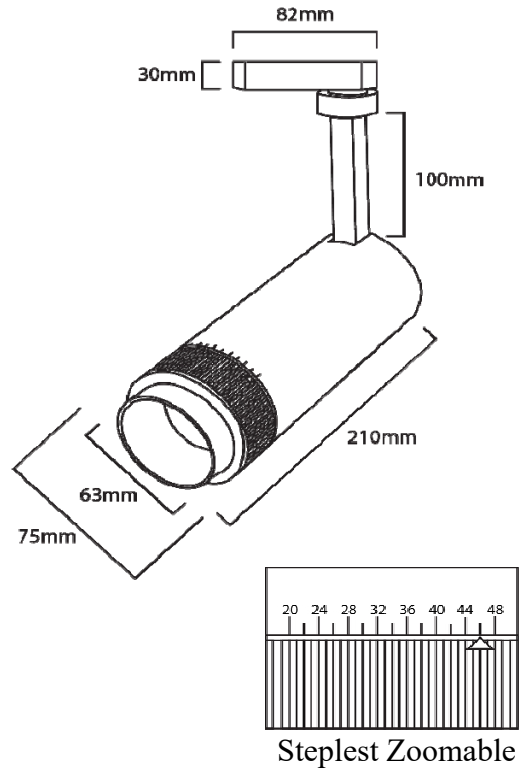


LED Track Light L06301-20/BK 20W



Technical Parameters

| | |
|-------------------|-----------------------|
| Model | L06301-20/BK |
| Power Consumption | 20W |
| Color Range | 3000K |
| Light Chip | Epistar COB |
| Materials | Cast Aluminium Casing |
| Light Output (lm) | 1800-2000lm |
| CRI | >80 |
| Beam Angle | 18°-50° |
| Lifetime | 30000h |
| Power Factor | >0.5 |
| Power Requirement | AC220-240V 50-60Hz |
| Current Ampere | 0.1A |
| Protection Rating | IP20 |
| DIMMABLE | NO |