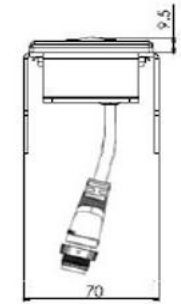
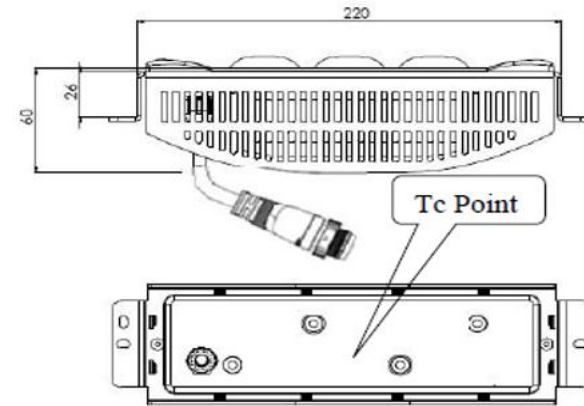


PrevaLED® SKY G2 Module – LED UPGRADE

Efficacy increased by up to 15% and at no extra cost

High performance Sky Module solution



Cable with IP connector
Cable length 500~550mm
Wire: 3 x 1.0 mm²

	Current mA	Voltage V	Light Output Lm	Efficacy Lm/W	Power W
Existing version	960	51	5900	120	48.9
	700	49	4600	134	34.3
Upgraded version	960	48	6330	137**	46.0
	700	46	4700	145*	32.5

*15% increase in efficacy

**8% increase in efficacy

* Wire: 3 x 1.0 mm , to confidently meet IEC 60598-1

- This upgrade will help the design staying competitive and without challenges from potential non-compliance with associated IEC standards such as, IEC60598-1.
- This upgrade will improve the lumen efficacy of the module from its original performance since 2019.



*refer to product datasheet