

LED PAR 30

features

- ⇒ Uses **OSRAM** LED chips
- ⇒ Using a secondary cooling fan technology, with high stability continue to work
- ⇒ Can frequent switching start, with no flicker and glare
- ⇒ Instant 100% light, no warm-up time
- ⇒ High colour rendering index, restore true colour of environment
- ⇒ Beam Angle: 24°



standard specification

Lifetime

20,000 hours

Colour Temp

available in
warmwhite (3000K)
coolwhite (4000K)
daylight (6500K)

Applications

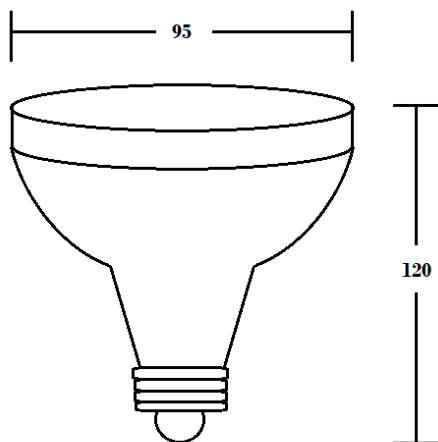


Environmental Conscious

no UV, IR and mercury pollution
in line with the relevant recognition permit requirements



dimensions (mm)



Description	Watt (W)	Voltage (V)	Lumen (LM)	CCT	Beam Angle	CRI	Standard Pack
CSG-P30A6	35	AC 220 ~ 240	2800	3000K, 4000K, 6500K	24°	≥ 80	20 pcs/ ctn